



# INTRO CORPORATION

Integrity, Value and Quality since 1976

## BACC65AB Spec Sheet



### **BACC65AB**

*Connector, Electrical, General Purpose,  
Rectangular, Receptacle Shell*

## TABLE OF CONTENTS

*Page 1: Title Page*

*Page 2: Part Number Coding*

*Page 3,4: Technical Data Sheets*

*Page 5: Detailed View of Receptacle and Plug*

*Page 6: Quick Links*



## BACC65AB

CONNECTOR, ELECTRICAL, GENERAL PURPOSE, RECTANGULAR, RECEPTACLE SHELL

### CODING

THE FIRST VARIABLE AFTER THE BASIC NUMBER DESIGNATES THE SHELL SIZE AS FOLLOWS:

2 = DOUBLE INSERT

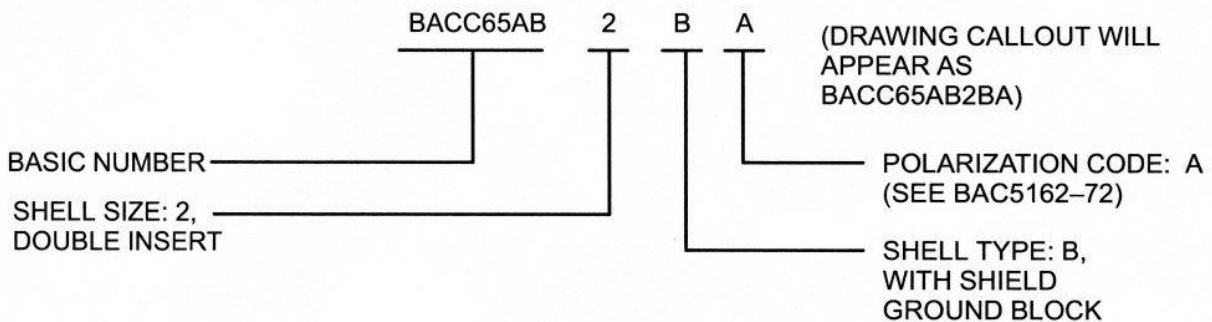
THE SECOND VARIABLE DESIGNATES THE SHELL TYPE.

A = WITHOUT THE GROUNDING FEATURES.

B = WITH SHIELD GROUND BLOCK.

THE THIRD VARIABLE DESIGNATES THE POLARIZATION CODE PER BAC5162-72. THE CODES THAT ARE AVAILABLE ARE A, B, C, D, E, AND F. FOR PROCUREMENT PURPOSES THE POLARIZATION CODE IS LEFT BLANK.

### EXAMPLE OF PART NUMBER

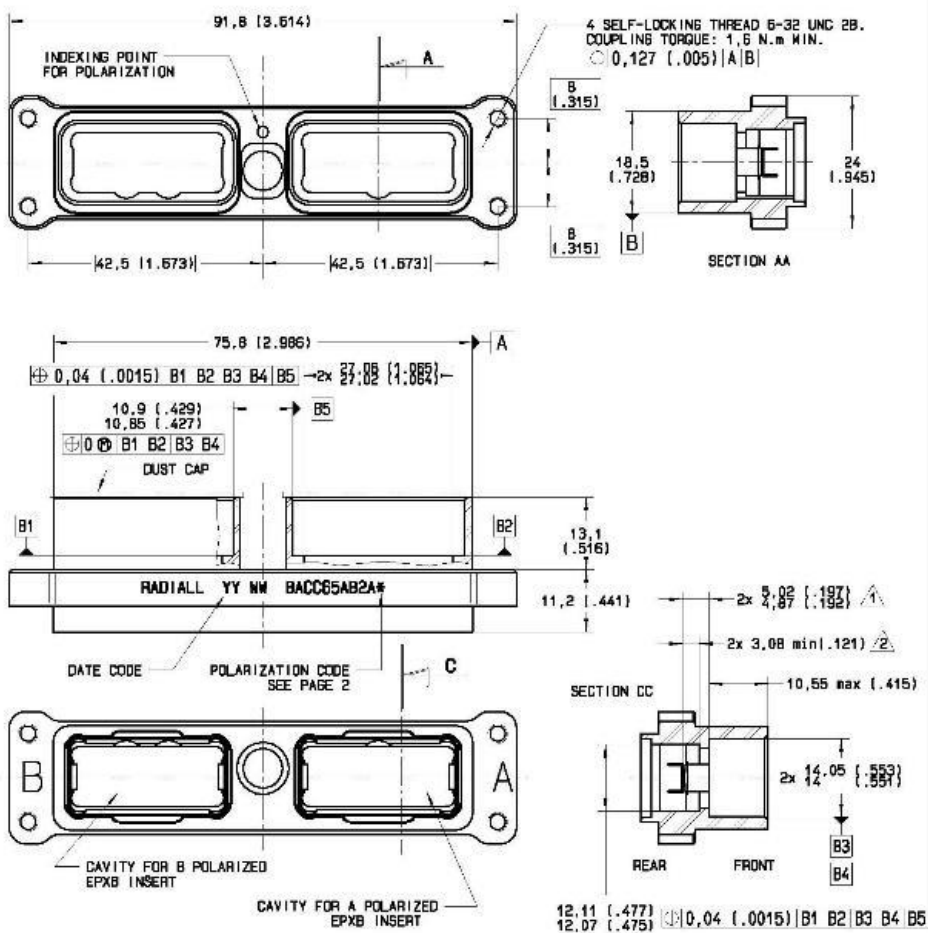


For Mating Plugs See BACC65AA



### BACC65AB Technical Data Sheet

<b>RADIALL</b> <sup>®</sup> MULTICONTACT CONNECTORS	<b>TECHNICAL DATA SHEET</b>	<b>617 610 068 *</b>	
		Series <b>EPXB</b>	SIZE 2 RECEPTACLE CONNECTOR For rear panel mounting only.



- 1) INSERT RETENTION CLIP ON ITS REAR LIMIT STOP
- 2) INSERT RETENTION CLIP ON ITS FRONT LIMIT STOP

DIMENSIONS : mm [inch] -

CREATION				
PEN: M970400041A	Jun 19, 02	Addition of polarizing codes (p.2).	L. Garcia	L. Glet
	June 19, 02	Self-locking threads were helical: Sup.	L. Garcia	B. Motteau
NOM: APNAULT	Jan 29, 99	ADDED SCREW TYPE FOR HELICOIL 6-32	APNAULT	B. Motteau
DATE: Oct 16 98	Jan 12, 99	Suppressed RADIALL P/N marking	DUBOIS	VERNEAU
APPR.: VERNEAU	Dec 14 98	ADDED JACKMIT	APNAULT	VERNEAU
	Issue	Revisions	Name	Approved



## BACC65AB Technical Data Sheet-Polarization Codes



TECHNICAL DATA SHEET

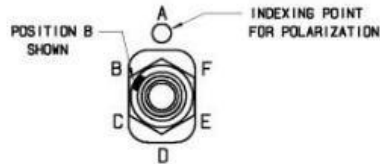
617 610 068 \*

Issue:	Page
June 27, 2003	2 / 2

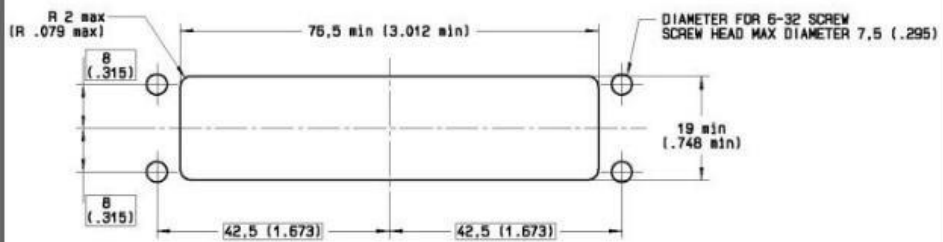
- MATERIALS AND FINISHES :
- SHELL : ALUMINUM ALLOY ELECTROLESS NICKEL
  - INSERT RETENTION CLIP : BERYLLIUM COPPER PER ASTM-B-194
  - JACKNUT : STAINLESS STEEL A151 316 (NON PASSIVATED)

CONNECTOR SUPPLIED WITH JACKNUT FOR A B C D E F POLARIZATION P/N 617 980 004 (UNINSTALLED)

<b>Jacknut</b>	*
Supplied uninstalled	
Supplied in position:	A B C D E F

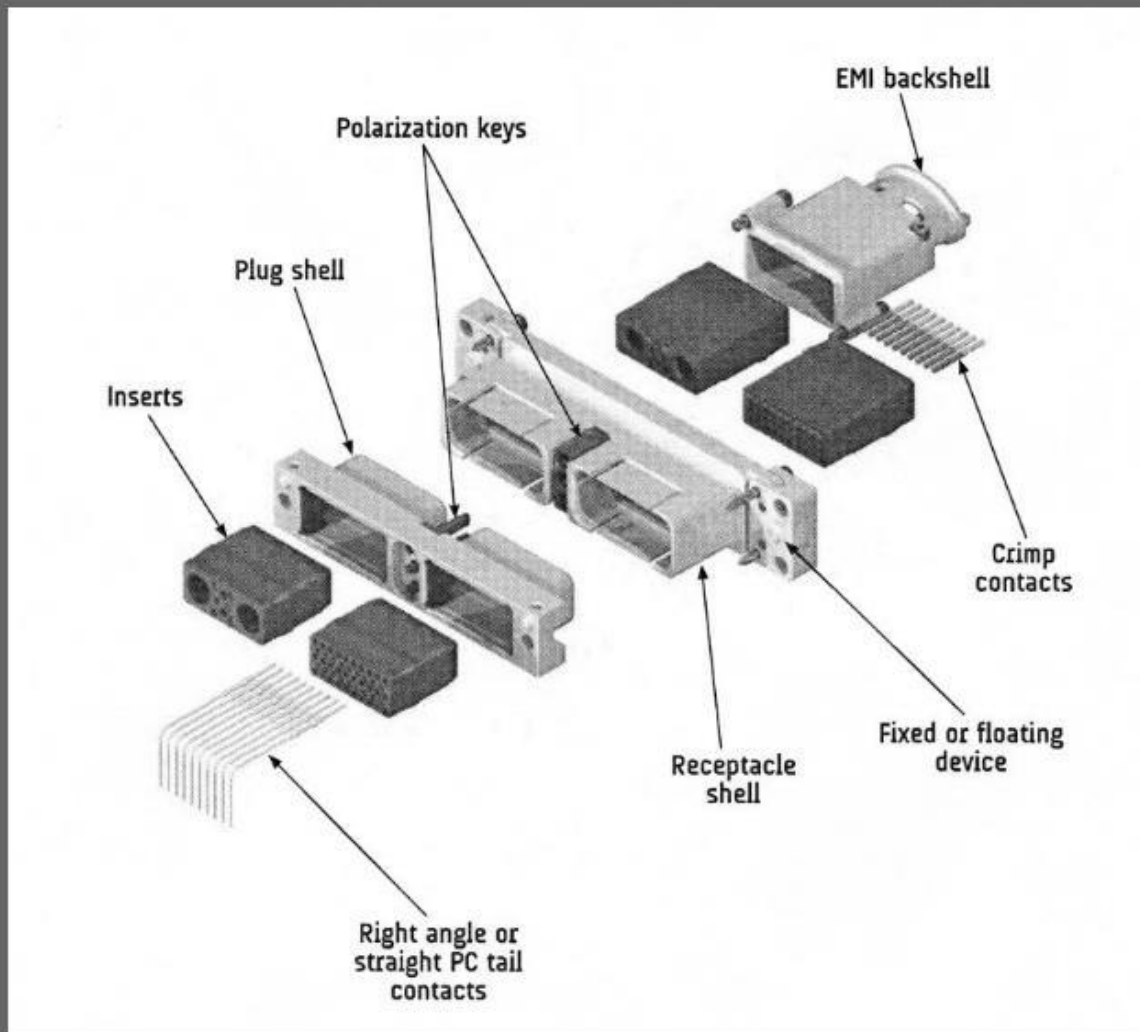


### PANEL CUT OUT





## BACC65AB Detailed View of Receptacle and Plug with Accessories





**Quick Links: Click on link below to search:**

**Part Number Search: [Click Here](#)**

**Tech Support: [Click Here](#)**

**Request a Quote: [Click Here](#)**