



INTRO CORPORATION

Integrity, Value and Quality since 1976

BACC65AL SPEC SHEET



BACC65AL801S

*Connector, Electrical, Rectangular, Plug,
6 Position, Lighting Connector*

TABLE OF CONTENTS

Page 1: Title Page

Page 2: Part Number Coding

Page 3: Drawing and Dimensions

Page 4: Insert Arrangement

Page 5: Tools and Mating Guide

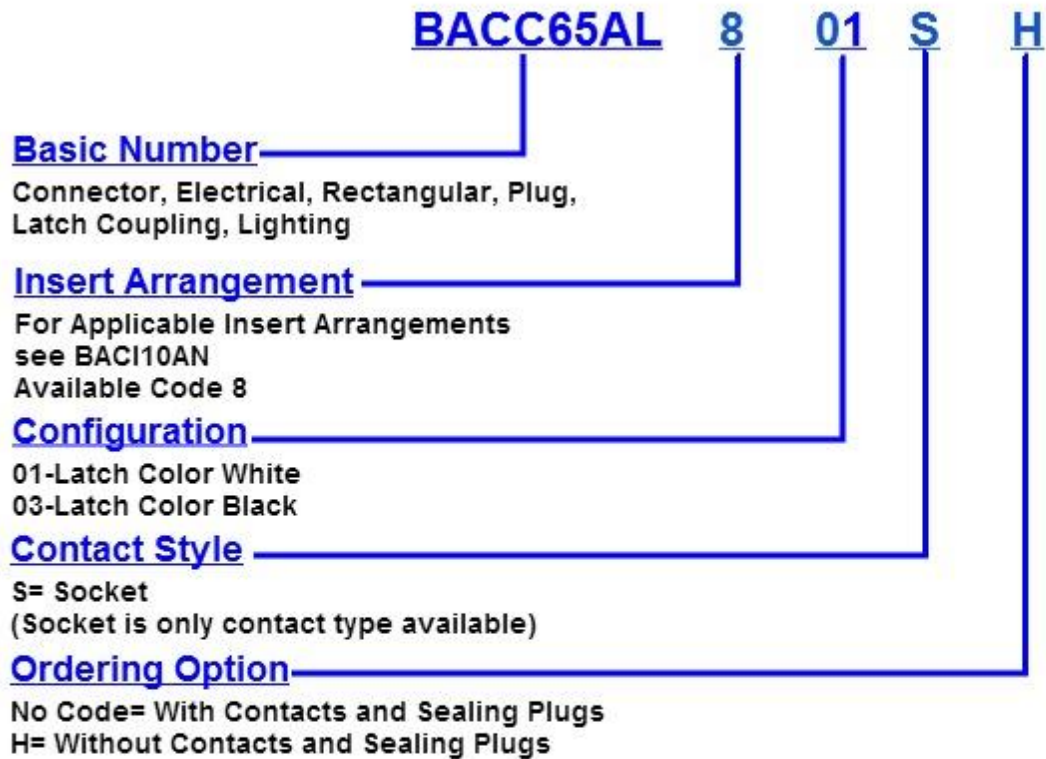
Page 6: Quick Links



BACC65AL

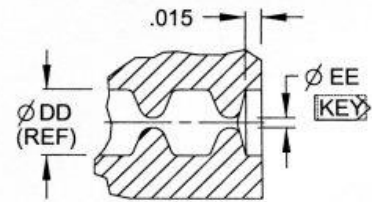
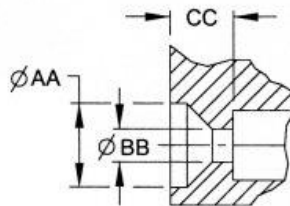
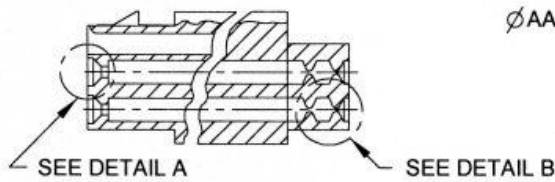
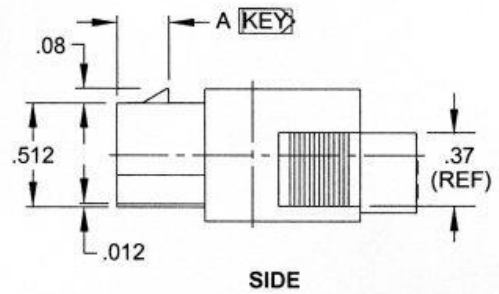
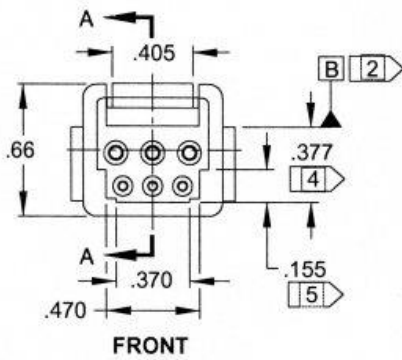
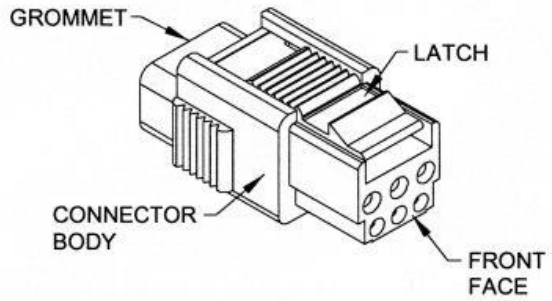
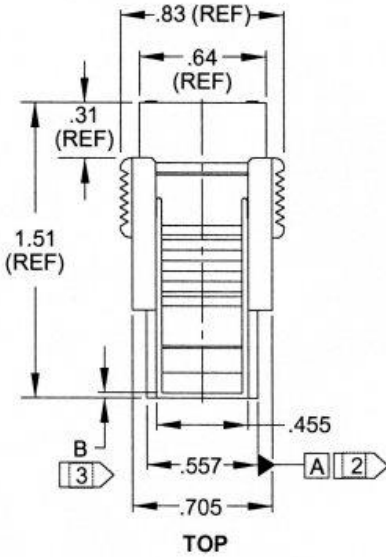
CONNECTOR, ELECTRICAL, PLUG, RECTANGULAR, LATCH COUPLING, LIGHTING

ORDERING GUIDE





BACC65AL DRAWING AND DIMENSIONS



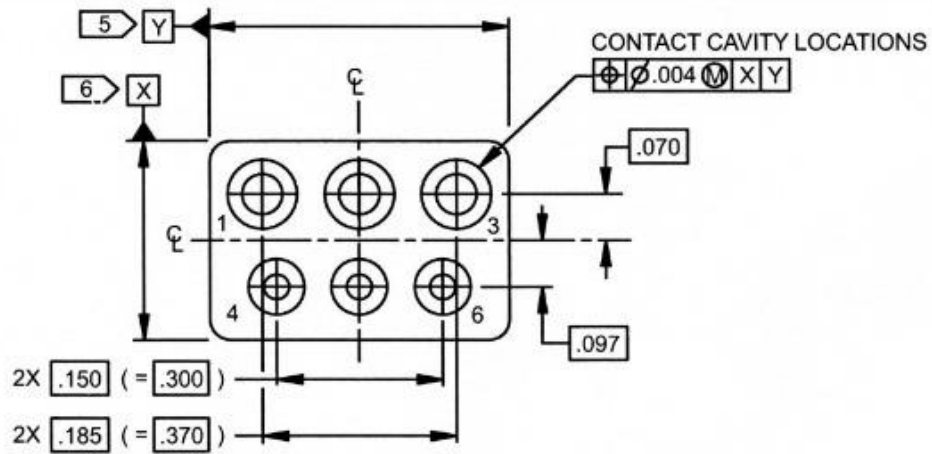
SECTION A-A

DETAIL A

DETAIL B



INSERT ARRANGEMENT #800



INSERT ARRANGEMENT 800 1 2

TABLE VIII

INSERT ARRANGEMENT	NUMBER OF CONTACTS	CONTACT SIZE	INSERT CAVITY LOCATION
800	3	20	4 THRU 6
	3	16	1 THRU 3

BACC65AL INSERT ARRANGEMENT # 800
 CONTACTS
 QTY 3 #20 GAUGE SOCKET=BACC47EG2
 QTY 3 #16 GAUGE SOCKET=BACC47EG3



BACC65AL SERIES CONTACTS and TOOLS					
BOEING CONTACT PART NUMBER	CONTACT SIZE	CONTACT TYPE	INSERTION & REMOVAL TOOL	CRIMP TOOL	POSITIONER
BACC47EG2	20	SOCKET	M81969/1-02	M22520/2-01	M22520/2-02 M22520/2-08
BACC47EG3	16	SOCKET	M81969/1-03	M22520/1-01	M22520/1-02

BACC65AL MATING GUIDE	
PLUG	RECEPTACLE
BACC65AL801S S280W557-801	LC2R206A0
BACC65AL803S	BACC65AM802P S280W557-802 002368-0802



Quick Links: Click on link below to search:

Part Number Search: [Click Here](#)

Tech Support: [Click Here](#)

Request a Quote: [Click Here](#)