



INTRO CORPORATION

Integrity, Value and Quality since 1976

S280W557-281 Obsolete

Replaced by Part Number

CBBMA44PK87



TABLE OF CONTENTS

Page 1: Title Page

Page 2: Part Number Coding

Pages 3: Drawing

Pages 4: Insert Arrangements and Contacts/Tools

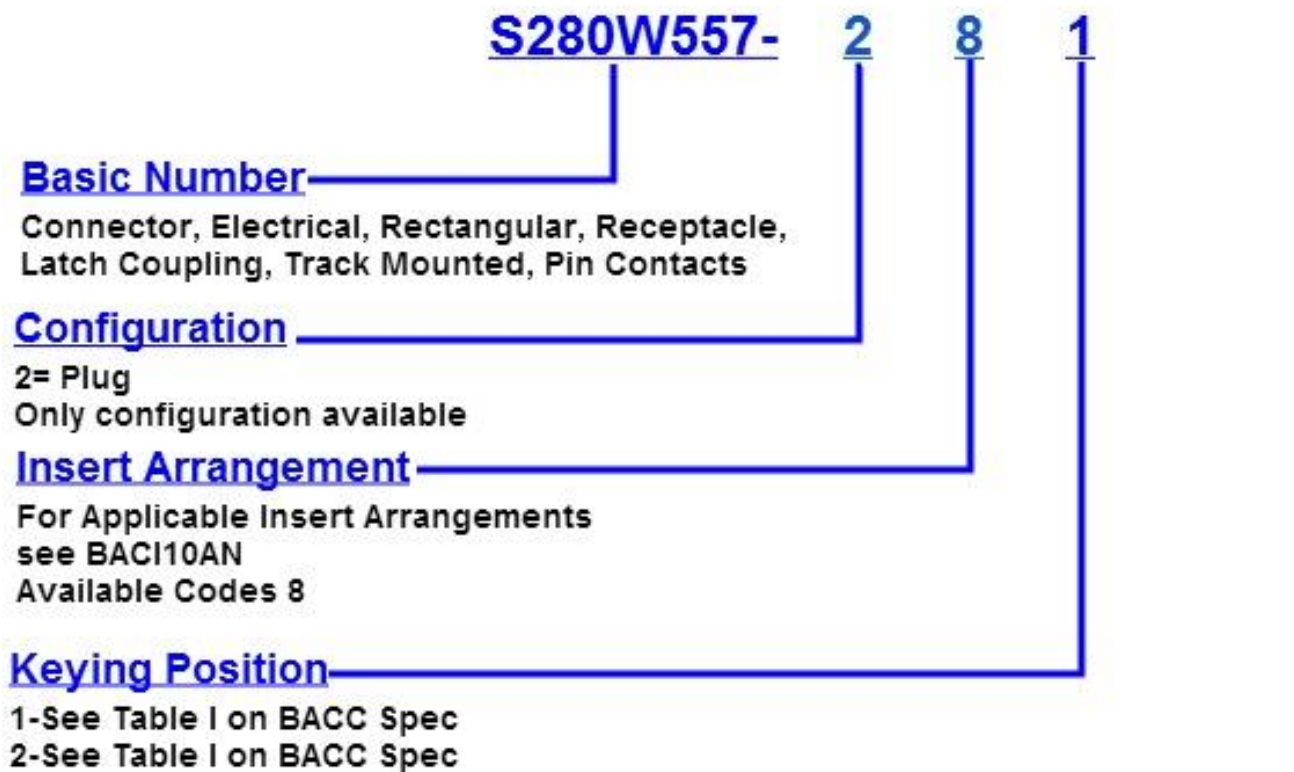
Page 5: Quick Links



S280W557-281 Replaced by **CBBMA44PK87**

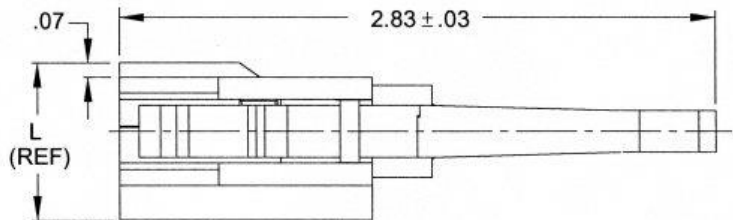
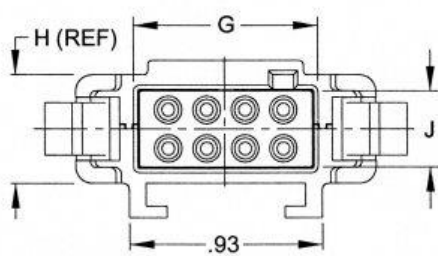
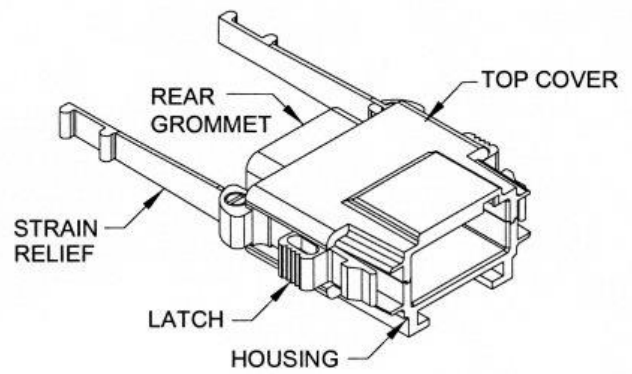
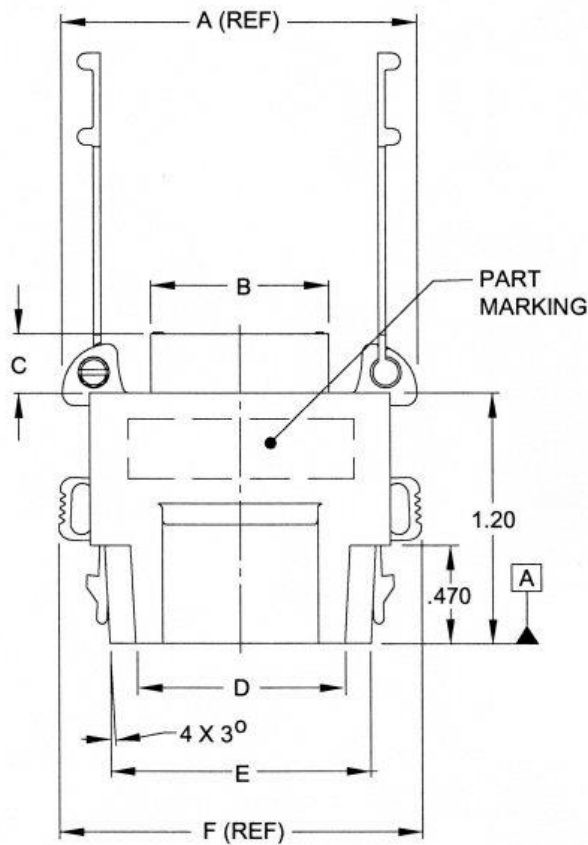
CONNECTOR, ELECTRICAL, RECTANGULAR, PLUG, LATCH COUPLING, TRACK MOUNTED

ORDERING GUIDE





S280W557-2XX DRAWING (Replaced by CBBMA44PK87)





INSERT ARRANGEMENT #8

INSERT ARRANGEMENT 800 1 2

TABLE VIII

INSERT ARRANGEMENT	NUMBER OF CONTACTS	CONTACT SIZE	INSERT CAVITY LOCATION
800	3	20	4 THRU 6
	3	16	1 THRU 3

S28W557-802 INSERT ARRANGEMENT # 800 CONTACTS
QTY 3 #20 GAUGE PINS=BACC47EF2
QTY 3 #16 GAUGE PINS=BACC47EF3

S280W557-2XX SERIES CONTACTS and TOOLS					
BOEING CONTACT PART NUMBER	CONTACT SIZE	CONTACT TYPE	INSERTION & REMOVAL TOOL	CRIMP TOOL	POSITIONER
BACC47EF2	20	PIN	M81969/1-02	M22520/2-01	M22520/2-02 M22520/2-08
BACC47EF3	16	PIN	M81969/1-03	M22520/1-01	M22520/1-02



Quick Links: Click on link below to search:

Part Number Search: [Click Here](#)

Tech Support: [Click Here](#)

Request a Quote: [Click Here](#)