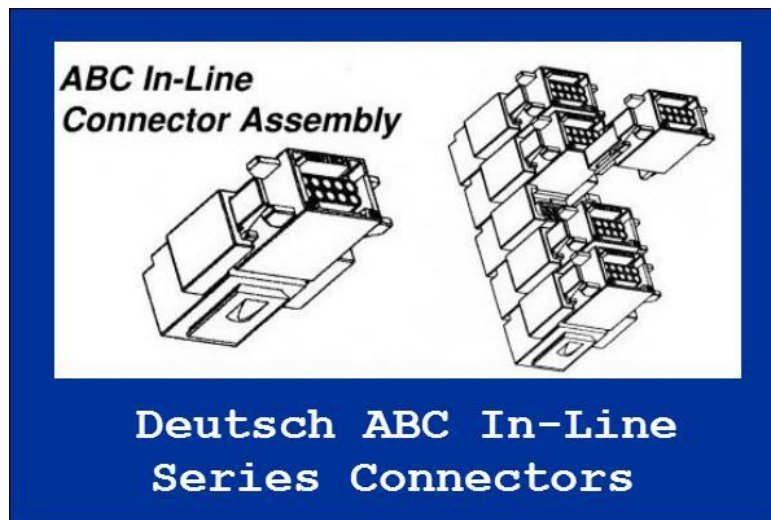




# INTRO CORPORATION

Integrity, Value and Quality since 1976

## Deutsch ABC In-Line Connectors Series



### TABLE OF CONTENTS

***Page 1: Title Page***

***Page 2: Part Number Coding, Available Insert Arrangements***

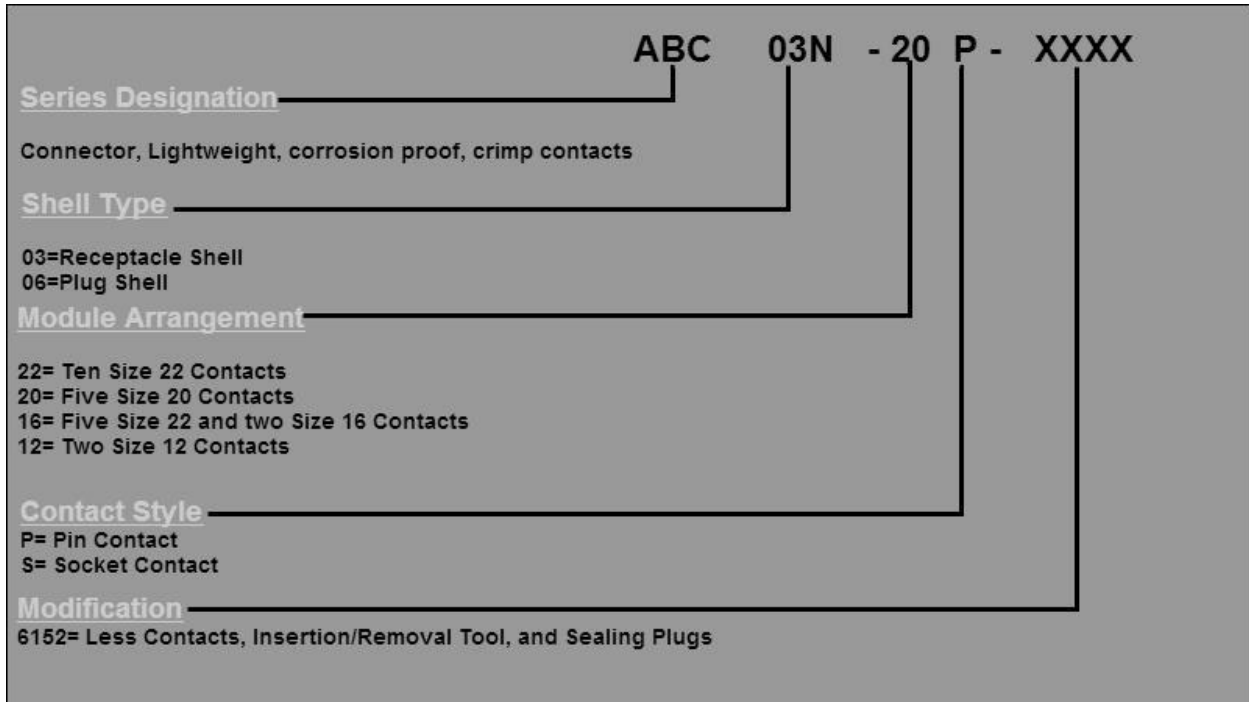
***Page 3: ABC In-Line Series Overview***

***Page 4: Plug and Receptacle Dimensions***

***Page 5: Quick Links***



## PART NUMBER CODING



**Table 1 — Module Arrangements**

Description	Part Number	Insert Arrangement
Ten size 22 contacts	Pin 22P	
	Socket 22S	
Five size 20 contacts	Pin 20P	
	Socket 20S	
Two size 22 and two size 16 contacts	Pin 16P	
	Socket 16S	
Two size 12 contacts	Pin 12P	
	Socket 12S	

**Table 2 — Component Ordering**

**Ordering Shells Separately**

Part Number	Description
ABC03N	Receptacle Shell
ABC06N	Plug Shell

**Ordering Modules Separately**

Part Number	Description
22P	Refer to Table- 1
22S	
20P	
20S	
16P	
16S	
12P	
12S	



## ABC Inline

### ABC In-Line Connector Series

A simple, low-cost, environmentally sealed, in-line service break for open wire harnesses.

The ABC In-Line Connector Series has three simple elements: Lightweight, corrosion proof shells; versatile, composite modules; field proven, crimp-type contacts that offer exceptional durability.

The ABC In-Line Connector Series uses standard ABC one-half inch modules. These proven modules are designed to terminate standard wire sizes. Selecting from four different modules, designers can accommodate a variety of custom wiring needs.

The ABC In-Line Series can maximize density and save space, making it ideal for installation in tight locations.

The ABC In-Line Series can be mounted using an available mounting clip that attaches with a wire tie or other common hardware.

#### SERVICEABILITY

Individual plug shells can be quickly mated or unmated from a stack. The contacts can be inserted and removed from the module using standard military tools.

#### MODULE ARRANGEMENTS

ABC In-Line Connector Modules are available in a variety of arrangements, using sizes 22, 20, 16 and 12 crimp style contacts.

Each module holds the contacts into place with the proven Deutsch Dielectric Retention System. A silicone rear grommet, with a triad wire seal and a cork-in-the-bottle

interfacial seal, is featured for environmental protection.

#### EXTENDED LIFE CONTACTS

The ABC In-Line Connector Series uses solderless, rear release, crimp-type, extended life, MIL-C-39029 contacts. Crimp-type contacts save time and reduce costs during assembly by eliminating the need for heat guns, wet processes and other special tools. They make field repair procedures quick and simple.

Extended life contacts have a durability rating three times greater than standard Mil-Spec contacts.

#### SPECIFICATIONS

##### Corrosion

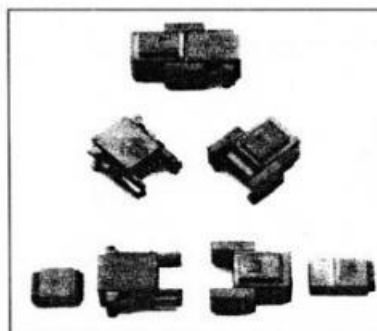
Withstands 1000 hours of salt-laden atmosphere. (Meets or exceeds AFLC 8810310, paragraph 1.2.1.6)

##### Fluid Compatibility

Fluid resistant in jet fuel, lubrication oil, liquid coolant, hydraulic fluid, gasoline, cleaning compound, defrosting fluid, and solvents. (Meets or exceeds AFLC 8810310, paragraph 1.2.1.8)

##### Altitude Immersion

Altitudes from sea level to 110,000 feet (5.36 TORR). Test voltage will vary with altitude. (Meets or exceeds AFLC 8810310, paragraph 1.2.1.3).



##### Humidity

Humidity conditions up to 98% relative humidity including condensation. (Meets or exceeds AFLC 8810310, paragraph 1.2.1.5).

##### Physical Shock

The ABC In-Line Connector Series is designed to survive in difficult environments. (Shock and vibration meets or exceeds AFLC 8810310, paragraph 3.16).

##### Thermal Shock

65° C to +175° C (Meets or exceeds AFLC 8810310, paragraph 1.2.1.7).

##### Vibration

Random: 44.1 G rms at ambient temperature. (Meets or exceeds AFLC 8810310, paragraph 1.2.1.2).

##### Working Temperature Range

65° C to +175° C

##### Shell Material

PEI Composite

##### Keying

Modules and shells are polarized to prevent crossed circuits and mismatching.

##### Connector Retention

Dual connector latches will withstand a minimum of 30 lbs. pull apart force.



abc\_inline

This information is for reference only. Consult factory for envelope drawings, updated specifications, and additions to the product line.

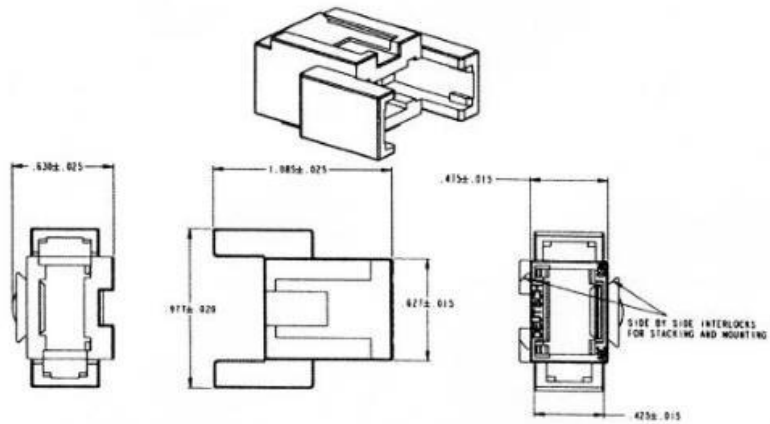
©Copyright 2001 Deutsch ECD



**ABC Inline**

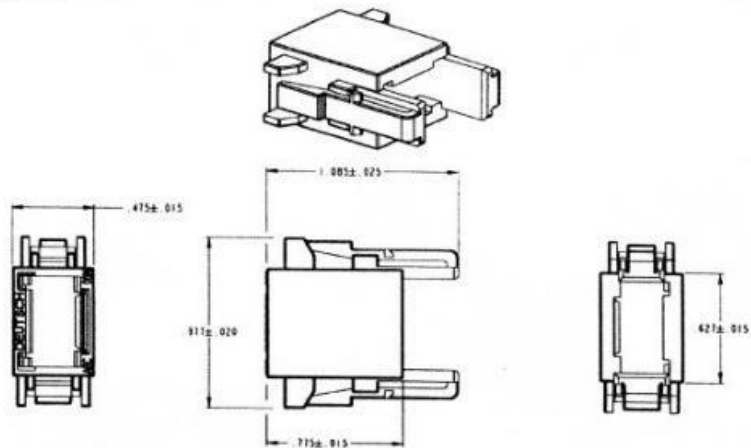
**Figure 2 — Receptacle Shell**

Part #: ABC03N



**Figure 3 — Plug Shell**

Part #: ABC06N



This information is for reference only. Consult factory for envelope drawings, updated specifications, and additions to the product line.

©Copyright 2001 Deutsch ECD



**Quick Links: Click on link below to search:**

**Part Number Search: [Click Here](#)**

**Tech Support: [Click Here](#)**

**Request a Quote: [Click Here](#)**