



INTRO CORPORATION

Integrity, Value and Quality since 1976

RMS EN2997 Design

High Temperature Firewall Receptacle



R0739

EN2997 Design 260° C Firewall

*Connector, Electrical, Environmental
Resisting, Threaded Coupling, Square
Flange Receptacle, Stainless Steel*

TABLE OF CONTENTS

Page 1: Title Page

Page 2: Part Number Coding

Page 3: Available Insert Arrangements

Page 4: Mating Guide, Cross Reference, Contacts and Tools

Page 5&6: Cable Clamps

Page 7: Quick Links



R0739

CONNECTOR, ELECTRICAL, EN2997 DESIGN, 260° C, THREADED COUPLING, STAINLESS STEEL

RMS 0739 PART NUMBER CODING

	R073X	10	KE	05	P	6-	0	00
Series Designation	<p>R0738= EN2997 DESIGN CONNECTOR, PLUG, CIRCULAR, ELECTRIC, ENVIRONMENTAL RESISTANT, STAINLESS STEEL, 260° C R0739= EN2997 DESIGN CONNECTOR, RECEPTACLE, CIRCULAR, ELECTRIC, ENVIRONMENTAL RESISTANT, STAINLESS STEEL, 260° C</p>							
Shell Size	08, 10, 12, 14, 16, 18, 20, 22, 24, 28							
Class and Materials	<p>KE= HIGH TEMPERATURE STAINLESS STEEL, 260° C FIREWALL, WITHOUT GROUND SPRING, SELF-LOCKING SE= HIGH TEMPERATURE STAINLESS STEEL, 260° C FIREWALL, WITH GROUND SPRING, SELF-LOCKING</p>							
Insert Arrangements	See Next Page							
Contact Style	<p>P= Pin Contact S= Socket Contact</p>							
Shell Polarity	<p>N= Normal (Included in part number) 6 7 8 9 Y</p>							
Contact Status	<p>0= Less Contacts 2= With Contacts</p>							
Cable Clamps	<p>00= Less Cable Clamp 01= With Right Angle Saddle Clamp 02= With Straight Saddle Clamp 03= With Right Angle Single Leg Clamp 04= With Straight Single Leg Clamp</p>							



RMS ESC-10 DESIGN FIREWALL INSERT ARRANGEMENTS

INSERT ARRANGEMENT	TOTAL CONTACTS	Size 20	Size 16	Size 12	8	4	2
08-02	2	2					
08-03	3	3					
08-98	3	3					
10-02	2	2					
10-05	5	5					
10-20	2		2				
12-03	3		3				
12-04	4	4					
12-12	12	12					
14-03	3		2				1
14-04	4			4			
14-07	7		7				
14-12	12	9	3				
14-15	15	15					
16-10	10		10				
16-24	24	24					
18-08	8			8			
18-11	11		10				1
18-14	14		14				
18-31	31	31					
20-16	16		16				
20-25	25	19		6			
20-28	28	24	4				
20-39	39	37	2				
20-41	41	41					
22-12	12			12			
22-19	19		19				
22-32	32	26		6			
22-55	55	55					
24-29	29		29				
24-30	30		30				
24-43	43	23	20				
24-61	61	61					
28-42	42		42				



MATING GUIDE

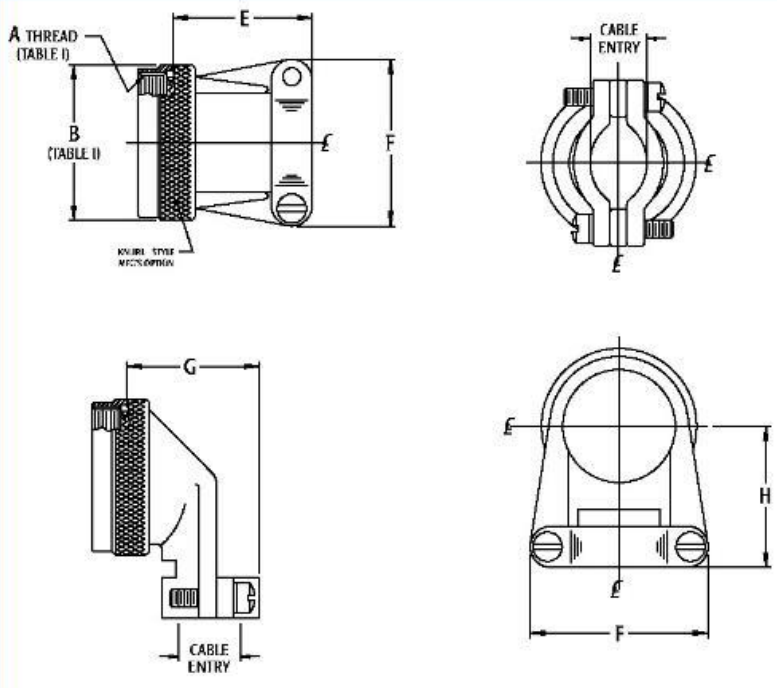
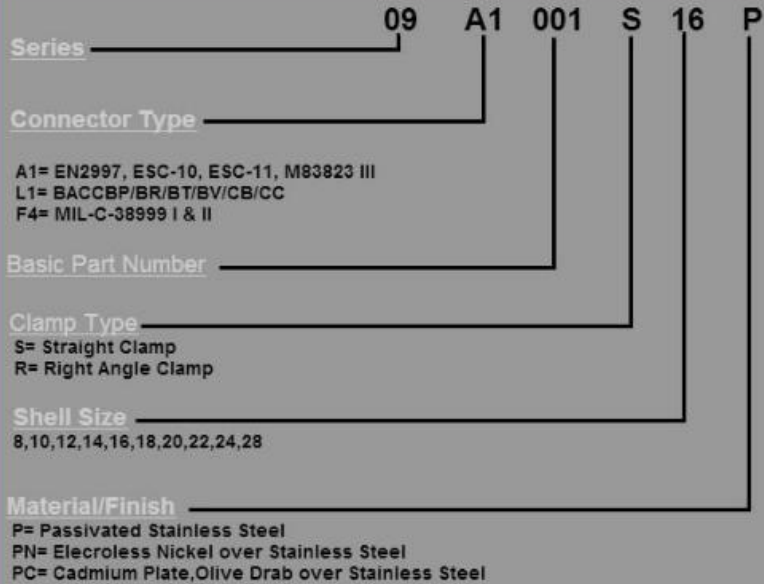
Connector	Finish and or Material	Intended Mating Connector	Upgraded Mating Connector	Downgraded Mating Connector	Downgraded Mating Connector
R0739XXKEXX * Stainless Steel 260° C	High Temp. Stainless Steel 260°C Firewall, Square Flange Receptacle	R0738XXKEXX * Stainless Steel 260° C	R0738XXSEXX * Stainless Steel 260° C	M83723/97S&98S * Stainless Steel 200° C	BACC63BPXXB * Stainless Steel 200° C

Shell Type	EN2997	RMS	PYLE	DEUTSCH	SOURIAU
THREADED SQUARE FLANGE RECEPTACLE	EN2997KE016-24FN	R073916KE24SN	BTK-17E16-24SDNY144	983-0YE16-24SN	85330ES1624SN
THREADED JAM NUT RECEPTACLE	EN2997KE716-24FN	N/A	BTK-19E16-24SDNY144	983-7YE16-24SN	85337ES1624SN
THREADED NON-DECOUPLING PLUG	EN2997KE616-24FN	R073816KE24SN	BTK-12E16-24SDNY144	983-6KE16-24SN	85334ES1624SN
THREADED PLUG WITH EMI GROUNDING SPRING	EN2997SE616-24FN	R073816SE24SN	BTK-12F16-24SDNY144	983-6SE16-24SN	85333ES1624SN

EN2997 CONTACTS, TOOLS AND SEALING PLUGS					
	Application	Pin Contacts	Socket Contacts	Sealing Plugs	Insertion Removal Tools
Contact					
Size	Type	Mil Spec Part #	Mil Spec Part #	Mil Spec Part #	Mil Spec Part #
20	Power/Signal	M39029/4-110	M39029/5-115	MS27488-20-1	M81969-14-11
16	Power/Signal	M39029/4-111	M39029/5-116	MS27488-16-1	M81969-14-03
12	Power/Signal	M39029/4-113	M39029/5-118	MS27488-12-1	M81969-14-04
EN2997 CRIMP TOOLS AND INSERTION/EXTRACTION TOOLS					
	Crimp Tool	Positioner	Postioner	Insertion Tool	Extraction Tool
Contact		Pin Contacts	Socket Contacts	Metal	Metal
Size	Type	Mil Spec Part #	Mil Spec Part #	Mil Spec Part #	Mil Spec Part #
20	M22520/1-01	M22520/1-02	M22520/1-02	M81969/8-205	M81969/8-205
20	M22520/2-01	M22520/2-02	M22520/2-02	M81969/8-205	M81969/8-205
16	M22520/1-01	M22520/1-02	M22520/1-02	M81969/8-207	M81969/8-208
12	M22520/1-01	M22520/1-02	M22520/1-02	M81969/8-209	M81969/8-210



EN2997 Stainless Steel Cable Clamps





EN2997 Aluminum Cable Clamps

M85049/51 S 10 W

Basic Part No. _____

S = Self-Locking
-1- = Non-Self-Locking

Dash No. _____

Material and Finish Designator

A = Aluminum, Black Anodize

N = Aluminum, Electroless Nickel

W = Aluminum, 1,000 Hour Cadmium
Olive Drab Over Electroless
Nickel



M85049/51

Right Angle Cable Clamp

M85049/52 S 10 W

Basic Part No. _____

S = Self-Locking
-1- = Non-Self-Locking

Dash No. _____

Material and Finish Designator

A = Aluminum, Black Anodize

N = Aluminum, Electroless Nickel

W = Aluminum, 1,000 Hour Cadmium
Olive Drab Over Electroless
Nickel



M85049/52

Straight Cable Clamp

Quick Links: Click on link below to search:

Part Number Search: [Click Here](#)

Tech Support: [Click Here](#)

Request a Quote: [Click Here](#)