



INTRO CORPORATION

Integrity, Value and Quality since 1976

EN2997 Stainless Steel Cable Clamps

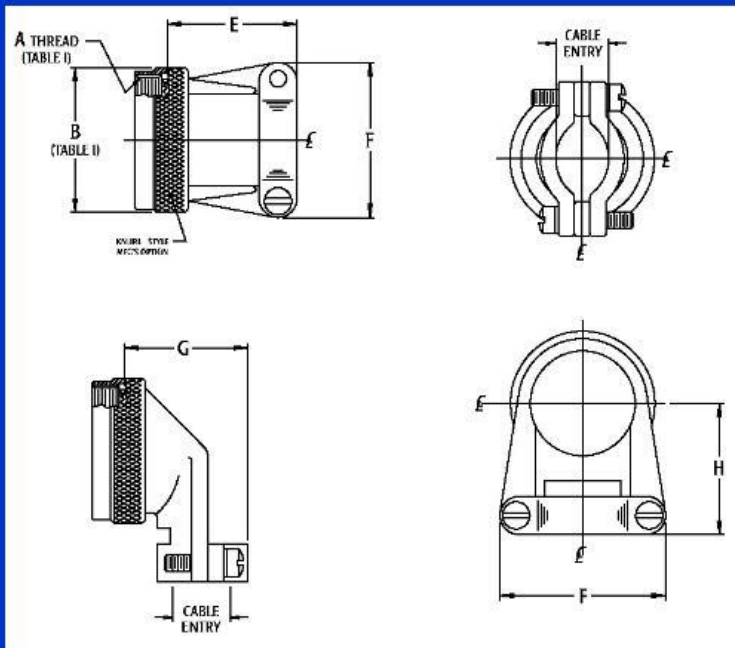
Series	09	A1	001	S	16	P
Connector Type						
Basic Part Number						
Clamp Type						
Shell Size						
Material/Finish						

A1= EN2997, ESC-10, ESC-11, M83823 III
 L1= BACCBP/BR/BT/BV/CB/CC
 F4= MIL-C-38999 I & II

S= Straight Clamp
 R= Right Angle Clamp

8, 10, 12, 14, 16, 18, 20, 22, 24, 28

P= Passivated Stainless Steel
 PN= Electroless Nickel over Stainless Steel
 PC= Cadmium Plate, Olive Drab over Stainless Steel





EN2997 Aluminum Cable Clamps

M85049/51 S 10 W

Basic Part No. _____

S = Self-Locking
-1- = Non-Self-Locking

Dash No. _____

Material and Finish Designator

A = Aluminum, Black Anodize

N = Aluminum, Electroless Nickel

W = Aluminum, 1,000 Hour Cadmium
Olive Drab Over Electroless
Nickel



M85049/51

Right Angle Cable Clamp

M85049/52 S 10 W

Basic Part No. _____

S = Self-Locking
-1- = Non-Self-Locking

Dash No. _____

Material and Finish Designator

A = Aluminum, Black Anodize

N = Aluminum, Electroless Nickel

W = Aluminum, 1,000 Hour Cadmium
Olive Drab Over Electroless
Nickel



M85049/52

Straight Cable Clamp



Quick Links: Click on link below to search:

Part Number Search: [Click Here](#)

Tech Support: [Click Here](#)

Request a Quote: [Click Here](#)