



INTRO CORPORATION

Integrity, Value and Quality since 1976

M83723/71 ORDERING GUIDE



M83723/71

*Connector, Electrical, Receptacle,
Bayonet Coupling, Socket Contacts*

TABLE OF CONTENTS

Page 1: Title Page

Page 2: Part Number Coding

Page 3: Drawing with Connector Dimensions

Page 4: Available Insert Arrangements

***Page 5: Mating Guide, Contacts, Sealing Plugs and
Tools***

Page 6: Cable Clamps

Page 7: Quick Links

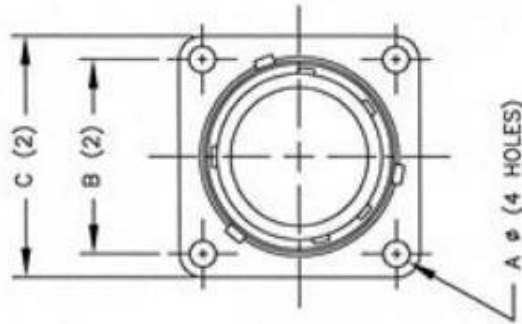
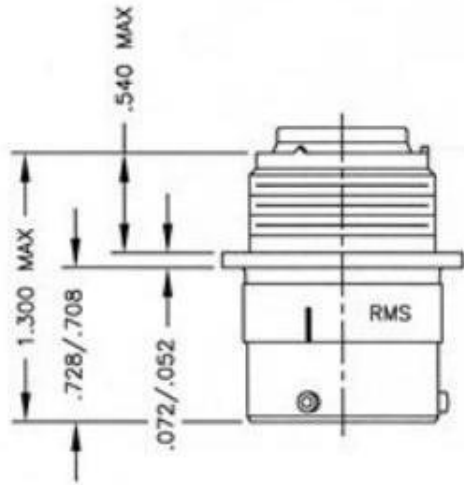


M83723/71

CONNECTOR, ELECTRICAL, RECEPTACLE, FLANGE MOUNT, BAYONET COUPLING, SOCKET CONTACTS

M83723 PART NUMBER CODING

	M83723	71	R	16	24	6
Shell Type	<p>71= BAYONET COUPLING, SQUARE FLANGE RECEPTACLE, SOCKET CONTACTS 72= BAYONET COUPLING, SQUARE FLANGE RECEPTACLE, PIN CONTACTS 73= BAYONET COUPLING, JAM NUT Receptacle, SOCKET CONTACTS 74= BAYONET COUPLING, JAM NUT RECEPTACLE, PIN CONTACTS 75= BAYONET COUPLING, STRAIGHT PLUG, SOCKET CONTACTS 76= BAYONET COUPLING, STRAIGHT PLUG, PIN CONTACTS 77= BAYONET COUPLING, STRAIGHT PLUG, RFI SPRING, SOCKET CONTACTS 78= BAYONET COUPLING, STRAIGHT PLUG, RFI SPRING, PIN CONTACTS 82= THREADED COUPLING, SQUARE FLANGE RECEPTACLE, SOCKET CONTACTS 83= THREADED COUPLING, SQUARE FLANGE RECEPTACLE, PIN CONTACTS 97= THREADED COUPLING, STRAIGHT PLUG, SELF LOCKING, SOCKET CONTACTS 98= THREADED COUPLING, STRAIGHT PLUG, SELF LOCKING, SOCKET CONTACTS</p>					
Class and Materials	<p>A= Aluminum shell, anodize, nonconductive finish G= Stainless steel shell, passivated K= Stainless steel shell, passivated, firewall N= Plugs, electrodeposited nickel finish, RFI grounding, firewall, self locking Receptacles, electrodeposited nickel finish, hermetic, solder cup contacts R= Aluminum shell, electroless nickel, conductive finish W= Aluminum shell, cadmium, conductive finish S= Stainless steel shell, passivated, firewall, RFI grounding, self locking (plug)</p>					
Shell Size	08, 10, 12, 14, 16, 18, 20, 22, 24					
Insert Arrangements	See Next Page					
Alternate Keying	<p>N= Normal (Included in part number) 6 7 8 9 10</p>					



SIZE	"A" ø	"B"	"C"
08		.594	.812
10		.719	.937
12		.812	1.031
14	.125	.906	1.125
16	.116	.969	1.250
18		1.062	1.343
20		1.156	1.437
22		1.250	1.562
24	.154	1.375	1.703
28	.146	1.562	1.200

- NOTES, UNLESS OTHERWISE SPECIFIED:
1. DIMENSIONS ARE IN INCHES.
 2. TOLERANCE IS $\pm .005$.

FIGURE 1
R0735 CONFIGURATION
M83723/71
RECEPTACLE, SOCKET, BAYONET

TITLE



RMS - Electrical Connector Division

SHEET

REV

NUMBER



INSERT ARRANGEMENT	TOTAL CONTACTS	Size 20	Size 16	Size 12	8	4
8-98	3	3				
8-03	3	3				
10-05	5	5				
10-06	6	6				
10-20	2		2			
12-03	3		3			
12-04		4				
12-12	12	12				
14-04	4			4		
14-07	7		7			
14-12	12	9	3			
14-15	15	15				
16-10	10		10			
16-24	24	24				
18-08	8			8		
18-14	14		14			
18-32	32	32				
20-25	25	19		6		
20-39	39	37	2			
20-41	41	41				
22-12	12			12		
22-19	19		19			
22-55	55	55				
24-19	29		29			
24-43	43	23	20			
24-61	61	61				



MATING GUIDE

Connector	Finish and or Material	Intended Mating Connector	Upgraded Mating Connector	Downgraded Mating Connector	Downgraded Mating Connector
M83723/71A	Aluminum, Black Anodized Non Conductive	M83723/76A *Black Anodized Aluminum, Non Conductive	M83723/76K/S/N/G * Stainless Steel	M83723/76R *Aluminum, Electroless Nickel	M83723/76W *Aluminum, Olive Drab Cadmium
M83723/71R	Aluminum, Electroless Nickel	M83723/76R *Aluminum, Electroless Nickel	M83723/76K/S/N/G * Stainless Steel	M83723/76A *Black Anodized Aluminum, Non Conductive	M83723/76W *Aluminum, Olive Drab Cadmium
M83723/71W	Aluminum, Olive Drab Cadmium	M83723/76W *Aluminum, Olive Drab Cadmium	M83723/76K/S/N/G * Stainless Steel	M83723/76A *Black Anodized Aluminum, Non Conductive	M83723/76R *Aluminum, Electroless Nickel

MIL-DTL-83723 CONTACTS, TOOLS AND SEALING PLUGS					
	Application	Pin Contacts	Socket Contacts	Sealing Plugs	Insertion Removal Tools
Contact					
Size	Type	Mil Spec Part #	Mil Spec Part #	Mil Spec Part #	Mil Spec Part #
20	Power/Signal	M39029/4-110	M39029/5-115	MS27488-20-1	M81969-14-11
16	Power/Signal	M39029/4-111	M39029/5-116	MS27488-16-1	M81969-14-03
12	Power/Signal	M39029/4-113	M39029/5-118	MS27488-12-1	M81969-14-04
MIL-DTL-83723 CRIMP TOOLS AND METAL INSERTION/EXTRACTION TOOLS					
	Crimp Tool	Positioner	Postioner	Insertion Tool	Extraction Tool
Contact		Pin Contacts	Socket Contacts	Metal	Metal
Size	Type	Mil Spec Part #	Mil Spec Part #	Mil Spec Part #	Mil Spec Part #
20	M22520/1-01	M22520/1-02	M22520/1-02	M81969/8-205	M81969/8-205
20	M22520/2-01	M22520/2-02	M22520/2-02	M81969/8-205	M81969/8-205
16	M22520/1-01	M22520/1-02	M22520/1-02	M81969/8-207	M81969/8-208
12	M22520/1-01	M22520/1-02	M22520/1-02	M81969/8-209	M81969/8-210



M83723 Series III Cable Clamps

M85049/51 S 10 W

Basic Part No. _____

S = Self-Locking
-1- = Non-Self-Locking

Dash No. _____

Material and Finish Designator

A = Aluminum, Black Anodize
N = Aluminum, Electroless Nickel
W = Aluminum, 1,000 Hour Cadmium
Olive Drab Over Electroless
Nickel



M85049/51
Right Angle Cable Clamp

M85049/52 S 10 W

Basic Part No. _____

S = Self-Locking
-1- = Non-Self-Locking

Dash No. _____

Material and Finish Designator

A = Aluminum, Black Anodize
N = Aluminum, Electroless Nickel
W = Aluminum, 1,000 Hour Cadmium
Olive Drab Over Electroless
Nickel



M85049/52
Straight Cable Clamp



Quick Links: Click on link below to search:

Part Number Search: [Click Here](#)

Tech Support: [Click Here](#)

Request a Quote: [Click Here](#)