



# INTRO CORPORATION

Integrity, Value and Quality since 1976

## M83723/72 ORDERING GUIDE



### TABLE OF CONTENTS

*Page 1: Title Page*

*Page 2: Part Number Coding*

*Page 3: Drawing with Connector Dimensions*

*Page 4: Available Insert Arrangements*

*Page 5: Mating Guide, Contacts, Sealing Plugs and Tools*

*Page 6: Cable Clamps*

*Page 7: Quick Links*

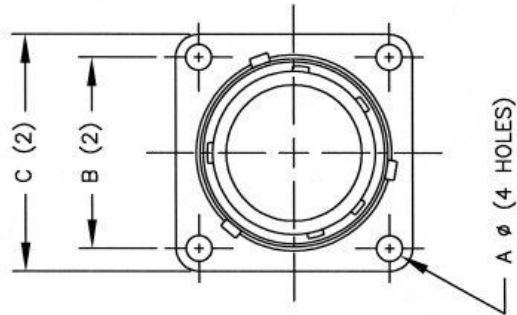
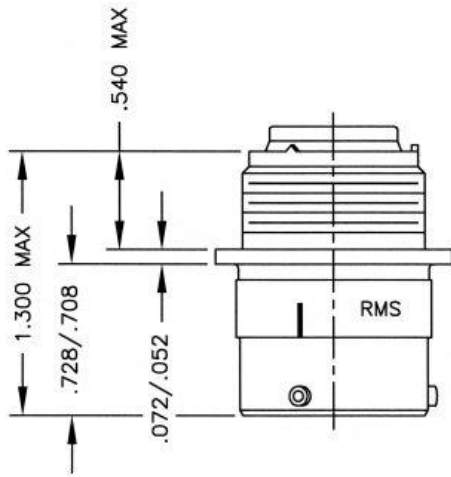


## M83723/72

**CONNECTOR, ELECTRICAL, RECEPTACLE, FLANGE MOUNT, BAYONET COUPLING, PIN CONTACTS**

### M83723 PART NUMBER CODING

	M83723	71	R	16	24	6
<b>Shell Type</b>	<p>71= BAYONET COUPLING, SQUARE FLANGE RECEPTACLE, SOCKET CONTACTS            72= BAYONET COUPLING, SQUARE FLANGE RECEPTACLE, PIN CONTACTS            73= BAYONET COUPLING, JAM NUT Receptacle, SOCKET CONTACTS            74= BAYONET COUPLING, JAM NUT RECEPTACLE, PIN CONTACTS            75= BAYONET COUPLING, STRAIGHT PLUG, SOCKET CONTACTS            76= BAYONET COUPLING, STRAIGHT PLUG, PIN CONTACTS            77= BAYONET COUPLING, STRAIGHT PLUG, RFI SPRING, SOCKET CONTACTS            78= BAYONET COUPLING, STRAIGHT PLUG, RFI SPRING, PIN CONTACTS            82= THREADED COUPLING, SQUARE FLANGE RECEPTACLE, SOCKET CONTACTS            83= THREADED COUPLING, SQUARE FLANGE RECEPTACLE, PIN CONTACTS            97= THREADED COUPLING, STRAIGHT PLUG, SELF LOCKING, SOCKET CONTACTS            98= THREADED COUPLING, STRAIGHT PLUG, SELF LOCKING, SOCKET CONTACTS</p>					
<b>Class and Materials</b>	<p>A= Aluminum shell, anodize, nonconductive finish            G= Stainless steel shell, passivated            K= Stainless steel shell, passivated, firewall            N= Plugs, electrodeposited nickel finish, RFI grounding, firewall, self locking                Receptacles, electrodeposited nickel finish, hermetic, solder cup contacts            R= Aluminum shell, electroless nickel, conductive finish            W= Aluminum shell, cadmium, conductive finish            S= Stainless steel shell, passivated, firewall, RFI grounding, self locking (plug)</p>					
<b>Shell Size</b>	08, 10, 12, 14, 16, 18, 20, 22, 24					
<b>Insert Arrangements</b>	See Next Page					
<b>Alternate Keying</b>	<p>N= Normal (Included in part number)            6            7            8            9            10</p>					



SIZE	"A" ø	"B"	"C"
08		.594	.812
10		.719	.937
12		.812	1.031
14	.125	.906	1.125
16	.116	.969	1.250
18		1.062	1.343
20		1.156	1.437
22		1.250	1.562
24	.154	1.375	1.703
28	.146	1.562	1.200

NOTES, UNLESS OTHERWISE SPECIFIED:

1. DIMENSIONS ARE IN INCHES.
2. TOLERANCE IS  $\pm .005$ .

FIGURE 2  
R0735 CONFIGURATION  
M83723/72  
RECEPTACLE, PIN, BAYONET

TITLE



RMS - Electrical Connector Division

SHEET

REV

NUMBER



INSERT ARRANGEMENT	TOTAL CONTACTS	Size 20	Size 16	Size 12	8	4
8-98	3	3				
8-03	3	3				
10-05	5	5				
10-06	6	6				
10-20	2		2			
12-03	3		3			
12-04		4				
12-12	12	12				
14-04	4			4		
14-07	7		7			
14-12	12	9	3			
14-15	15	15				
16-10	10		10			
16-24	24	24				
18-08	8			8		
18-14	14		14			
18-32	32	32				
20-25	25	19		6		
20-39	39	37	2			
20-41	41	41				
22-12	12			12		
22-19	19		19			
22-55	55	55				
24-19	29		29			
24-43	43	23	20			
24-61	61	61				



## MATING GUIDE

Connector	Finish and or Material	Intended Mating Connector	Upgraded Mating Connector	Downgraded Mating Connector	Downgraded Mating Connector
M83723/72A	Aluminum, Black Anodized Non Conductive	M83723/75A *Black Anodized Aluminum, Non Conductive	M83723/75K/S/N/G *Stainless Steel	M83723/75R *Aluminum, Electroless Nickel	M83723/75W *Aluminum, Olive Drab Cadmium
M83723/72R	Aluminum, Electroless Nickel	M83723/75R *Aluminum, Electroless Nickel	M83723/75K/S/N/G *Stainless Steel	M83723/75A *Black Anodized Aluminum, Non Conductive	M83723/75W *Aluminum, Olive Drab Cadmium
M83723/72W	Aluminum, Olive Drab Cadmium	M83723/75W *Aluminum, Olive Drab Cadmium	M83723/75K/S/N/G *Stainless Steel	M83723/75A *Black Anodized Aluminum, Non Conductive	M83723/75R *Aluminum, Electroless Nickel

MIL-DTL-83723 CONTACTS, TOOLS AND SEALING PLUGS					
	Application	Pin Contacts	Socket Contacts	Sealing Plugs	Insertion Removal Tools
Contact					
Size	Type	Mil Spec Part #	Mil Spec Part #	Mil Spec Part #	Mil Spec Part #
20	Power/Signal	M39029/4-110	M39029/5-115	MS27488-20-1	M81969-14-11
16	Power/Signal	M39029/4-111	M39029/5-116	MS27488-16-1	M81969-14-03
12	Power/Signal	M39029/4-113	M39029/5-118	MS27488-12-1	M81969-14-04
MIL-DTL-83723 CRIMP TOOLS AND METAL INSERTION/EXTRACTION TOOLS					
	Crimp Tool	Positioner	Postioner	Insertion Tool	Extraction Tool
Contact		Pin Contacts	Socket Contacts	Metal	Metal
Size	Type	Mil Spec Part #	Mil Spec Part #	Mil Spec Part #	Mil Spec Part #
20	M22520/1-01	M22520/1-02	M22520/1-02	M81969/8-205	M81969/8-205
20	M22520/2-01	M22520/2-02	M22520/2-02	M81969/8-205	M81969/8-205
16	M22520/1-01	M22520/1-02	M22520/1-02	M81969/8-207	M81969/8-208
12	M22520/1-01	M22520/1-02	M22520/1-02	M81969/8-209	M81969/8-210





## M83723 Series III Cable Clamps

**M85049/51 S 10 W**

Basic Part No. \_\_\_\_\_

S = Self-Locking  
-1- = Non-Self-Locking

Dash No. \_\_\_\_\_

Material and Finish Designator

A = Aluminum, Black Anodize  
N = Aluminum, Electroless Nickel  
W = Aluminum, 1,000 Hour Cadmium  
Olive Drab Over Electroless  
Nickel



**M85049/51**  
*Right Angle Cable Clamp*

**M85049/52 S 10 W**

Basic Part No. \_\_\_\_\_

S = Self-Locking  
-1- = Non-Self-Locking

Dash No. \_\_\_\_\_

Material and Finish Designator

A = Aluminum, Black Anodize  
N = Aluminum, Electroless Nickel  
W = Aluminum, 1,000 Hour Cadmium  
Olive Drab Over Electroless  
Nickel



**M85049/52**  
*Straight Cable Clamp*



**Quick Links: Click on link below to search:**

**Part Number Search: [Click Here](#)**

**Tech Support: [Click Here](#)**

**Request a Quote: [Click Here](#)**