



INTRO CORPORATION

Integrity, Value and Quality since 1976

M83723/73 ORDERING GUIDE



M83723/73

*Connector, Electrical, Jam Nut Receptacle,
Bayonet Coupling, Socket Contacts*

TABLE OF CONTENTS

Page 1: Title Page

Page 2: Part Number Coding

Page 3: Drawing with Connector Dimensions

Page 4: Available Insert Arrangements

*Page 5: Mating Guide, Contacts, Sealing Plugs and
Tools*

Page 6: Cable Clamps

Page 7: Quick Links



M83723/73

CONNECTOR, ELECTRICAL, JAM NUT RECEPTACLE, BAYONET COUPLING, SOCKET CONTACTS

M83723 PART NUMBER CODING

	M83723	71	R	16	24	6
--	---------------	-----------	----------	-----------	-----------	----------

Shell Type

- 71= BAYONET COUPLING, SQUARE FLANGE RECEPTACLE, SOCKET CONTACTS
- 72= BAYONET COUPLING, SQUARE FLANGE RECEPTACLE, PIN CONTACTS
- 73= BAYONET COUPLING, JAM NUT RECEPTACLE, SOCKET CONTACTS
- 74= BAYONET COUPLING, JAM NUT RECEPTACLE, PIN CONTACTS
- 75= BAYONET COUPLING, STRAIGHT PLUG, SOCKET CONTACTS
- 76= BAYONET COUPLING, STRAIGHT PLUG, PIN CONTACTS
- 77= BAYONET COUPLING, STRAIGHT PLUG, RFI SPRING, SOCKET CONTACTS
- 78= BAYONET COUPLING, STRAIGHT PLUG, RFI SPRING, PIN CONTACTS
- 82= THREADED COUPLING, SQUARE FLANGE RECEPTACLE, SOCKET CONTACTS
- 83= THREADED COUPLING, SQUARE FLANGE RECEPTACLE, PIN CONTACTS
- 97= THREADED COUPLING, STRAIGHT PLUG, SELF LOCKING, SOCKET CONTACTS
- 98= THREADED COUPLING, STRAIGHT PLUG, SELF LOCKING, SOCKET CONTACTS

Class and Materials

- A= Aluminum shell, anodize, nonconductive finish
- G= Stainless steel shell, passivated
- K= Stainless steel shell, passivated, firewall
- N= Plugs, electrodeposited nickel finish, RFI grounding, firewall, self locking Receptacles, electrodeposited nickel finish, hermetic, solder cup contacts
- R= Aluminum shell, electroless nickel, conductive finish
- W= Aluminum shell, cadmium, conductive finish
- S= Stainless steel shell, passivated, firewall, RFI grounding, self locking (plug)

Shell Size

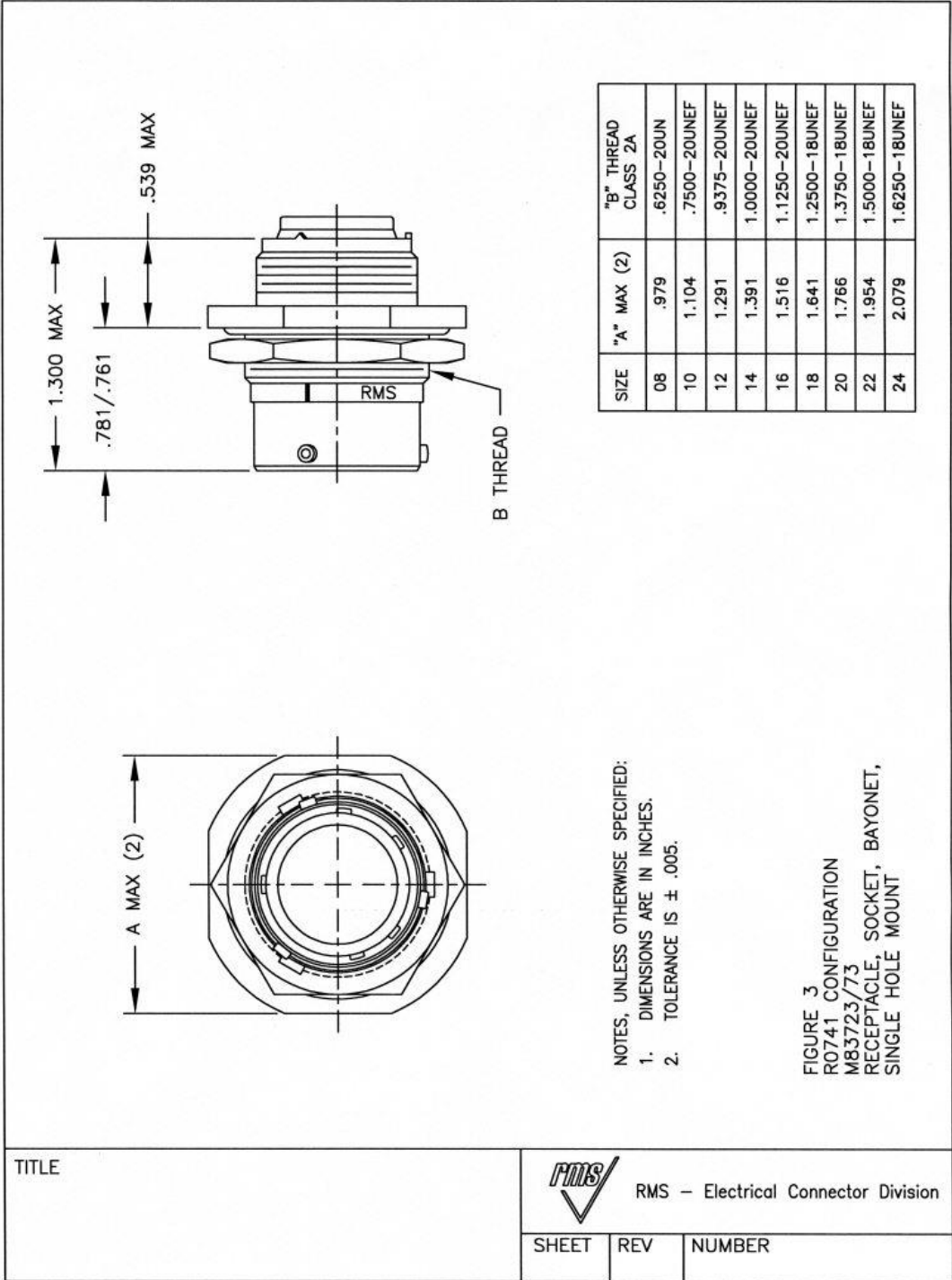
08, 10, 12, 14, 16, 18, 20, 22, 24

Insert Arrangements

See Next Page

Alternate Keying

- N= Normal (Included in part number)
- 6
- 7
- 8
- 9
- 10



SIZE	"A" MAX (2)	"B" THREAD CLASS 2A
08	.979	.6250-20UN
10	1.104	.7500-20UNEF
12	1.291	.9375-20UNEF
14	1.391	1.0000-20UNEF
16	1.516	1.1250-20UNEF
18	1.641	1.2500-18UNEF
20	1.766	1.3750-18UNEF
22	1.954	1.5000-18UNEF
24	2.079	1.6250-18UNEF

NOTES, UNLESS OTHERWISE SPECIFIED:
 1. DIMENSIONS ARE IN INCHES.
 2. TOLERANCE IS ± .005.

FIGURE 3
 R0741 CONFIGURATION
 M83723/73
 RECEPTACLE, SOCKET, BAYONET,
 SINGLE HOLE MOUNT

TITLE



SHEET	REV	NUMBER
-------	-----	--------



INSERT ARRANGEMENT	TOTAL CONTACTS	Size 20	Size 16	Size 12	8	4
8-98	3	3				
8-03	3	3				
10-05	5	5				
10-06	6	6				
10-20	2		2			
12-03	3		3			
12-04		4				
12-12	12	12				
14-04	4			4		
14-07	7		7			
14-12	12	9	3			
14-15	15	15				
16-10	10		10			
16-24	24	24				
18-08	8			8		
18-14	14		14			
18-32	32	32				
20-25	25	19		6		
20-39	39	37	2			
20-41	41	41				
22-12	12			12		
22-19	19		19			
22-55	55	55				
24-19	29		29			
24-43	43	23	20			
24-61	61	61				



MATING GUIDE

Connector	Finish and or Material	Intended Mating Connector	Upgraded Mating Connector	Downgraded Mating Connector	Downgraded Mating Connector
M83723/73A	Aluminum, Black Anodized Non Conductive	M83723/76A *Black Anodized Aluminum, Non Conductive	M83723/76K/S/N/G * Stainless Steel	M83723/76R *Aluminum, Electroless Nickel	M83723/76W *Aluminum, Olive Drab Cadmium
M83723/73R	Aluminum, Electroless Nickel	M83723/76R *Aluminum, Electroless Nickel	M83723/76K/S/N/G * Stainless Steel	M83723/76A *Black Anodized Aluminum, Non Conductive	M83723/76W *Aluminum, Olive Drab Cadmium
M83723/73W	Aluminum, Olive Drab Cadmium	M83723/76W *Aluminum, Olive Drab Cadmium	M83723/76K/S/N/G * Stainless Steel	M83723/76A *Black Anodized Aluminum, Non Conductive	M83723/76R *Aluminum, Electroless Nickel

MIL-DTL-83723 CONTACTS, TOOLS AND SEALING PLUGS					
	Application	Pin Contacts	Socket Contacts	Sealing Plugs	Insertion Removal Tools
Contact					
Size	Type	Mil Spec Part #	Mil Spec Part #	Mil Spec Part #	Mil Spec Part #
20	Power/Signal	M39029/4-110	M39029/5-115	MS27488-20-1	M81969-14-11
16	Power/Signal	M39029/4-111	M39029/5-116	MS27488-16-1	M81969-14-03
12	Power/Signal	M39029/4-113	M39029/5-118	MS27488-12-1	M81969-14-04
MIL-DTL-83723 CRIMP TOOLS AND METAL INSERTION/EXTRACTION TOOLS					
	Crimp Tool	Positioner	Postioner	Insertion Tool	Extraction Tool
Contact		Pin Contacts	Socket Contacts	Metal	Metal
Size	Type	Mil Spec Part #	Mil Spec Part #	Mil Spec Part #	Mil Spec Part #
20	M22520/1-01	M22520/1-02	M22520/1-02	M81969/8-205	M81969/8-205
20	M22520/2-01	M22520/2-02	M22520/2-02	M81969/8-205	M81969/8-205
16	M22520/1-01	M22520/1-02	M22520/1-02	M81969/8-207	M81969/8-208
12	M22520/1-01	M22520/1-02	M22520/1-02	M81969/8-209	M81969/8-210



M83723 Series III Cable Clamps

M85049/51 S 10 W

Basic Part No. _____

S = Self-Locking
-1- = Non-Self-Locking

Dash No. _____

Material and Finish Designator

A = Aluminum, Black Anodize
N = Aluminum, Electroless Nickel
W = Aluminum, 1,000 Hour Cadmium
Olive Drab Over Electroless
Nickel



M85049/51

Right Angle Cable Clamp

M85049/52 S 10 W

Basic Part No. _____

S = Self-Locking
-1- = Non-Self-Locking

Dash No. _____

Material and Finish Designator

A = Aluminum, Black Anodize
N = Aluminum, Electroless Nickel
W = Aluminum, 1,000 Hour Cadmium
Olive Drab Over Electroless
Nickel



M85049/52

Straight Cable Clamp



Quick Links: Click on link below to search:

Part Number Search: [Click Here](#)

Tech Support: [Click Here](#)

Request a Quote: [Click Here](#)