



# INTRO CORPORATION

Integrity, Value and Quality since 1976

## M83723/74 ORDERING GUIDE



### TABLE OF CONTENTS

***Page 1: Title Page***

***Page 2: Part Number Coding***

***Page 3: Drawing with Connector Dimensions***

***Page 4: Available Insert Arrangements***

***Page 5: Mating Guide, Contacts, Sealing Plugs and  
Tools***

***Page 6: Cable Clamps***

***Page 7: Quick Links***

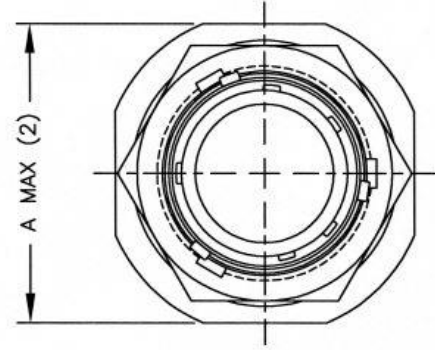
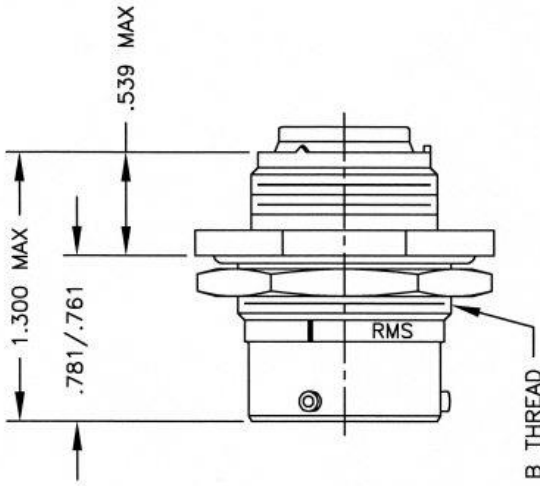


## M83723/74

CONNECTOR, ELECTRICAL, JAM NUT RECEPTACLE, BAYONET COUPLING, PIN CONTACT

### M83723 PART NUMBER CODING

	M83723	71	R	16	24	6
<b>Shell Type</b>	_____					
71= BAYONET COUPLING, SQUARE FLANGE RECEPTACLE, SOCKET CONTACTS						
72= BAYONET COUPLING, SQUARE FLANGE RECEPTACLE, PIN CONTACTS						
73= BAYONET COUPLING, JAM NUT Receptacle, SOCKET CONTACTS						
74= BAYONET COUPLING, JAM NUT RECEPTACLE, PIN CONTACTS						
75= BAYONET COUPLING, STRAIGHT PLUG, SOCKET CONTACTS						
76= BAYONET COUPLING, STRAIGHT PLUG, PIN CONTACTS						
77= BAYONET COUPLING, STRAIGHT PLUG, RFI SPRING, SOCKET CONTACTS						
78= BAYONET COUPLING, STRAIGHT PLUG, RFI SPRING, PIN CONTACTS						
82= THREADED COUPLING, SQUARE FLANGE RECEPTACLE, SOCKET CONTACTS						
83= THREADED COUPLING, SQUARE FLANGE RECEPTACLE, PIN CONTACTS						
97= THREADED COUPLING, STRAIGHT PLUG, SELF LOCKING, SOCKET CONTACTS						
98= THREADED COUPLING, STRAIGHT PLUG, SELF LOCKING, SOCKET CONTACTS						
<b>Class and Materials</b>	_____					
A= Aluminum shell, anodize, nonconductive finish						
G= Stainless steel shell, passivated						
K= Stainless steel shell, passivated, firewall						
N= Plugs, electrodeposited nickel finish, RFI grounding, firewall, self locking						
Receptacles, electrodeposited nickel finish, hermetic, solder cup contacts						
R= Aluminum shell, electroless nickel, conductive finish						
W= Aluminum shell, cadmium, conductive finish						
S= Stainless steel shell, passivated, firewall, RFI grounding, self locking (plug)						
<b>Shell Size</b>	_____					
08, 10, 12, 14, 16, 18, 20, 22, 24						
<b>Insert Arrangements</b>	_____					
See Next Page						
<b>Alternate Keying</b>	_____					
N= Normal (Included in part number)						
6						
7						
8						
9						
10						

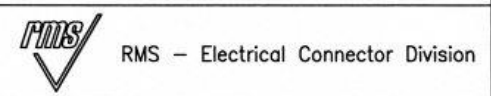


SIZE	"A" MAX (2)	"B" THREAD CLASS 2A
08	.979	.6250-20UN
10	1.104	.7500-20UNEF
12	1.291	.9375-20UNEF
14	1.391	1.0000-20UNEF
16	1.516	1.1250-20UNEF
18	1.641	1.2500-18UNEF
20	1.766	1.3750-18UNEF
22	1.954	1.5000-18UNEF
24	2.079	1.6250-18UNEF

NOTES, UNLESS OTHERWISE SPECIFIED:  
 1. DIMENSIONS ARE IN INCHES.  
 2. TOLERANCE IS  $\pm .005$ .

FIGURE 4  
 R0741 CONFIGURATION  
 M83723/74  
 RECEPTACLE, PIN, BAYONET,  
 SINGLE HOLE MOUNT

TITLE



SHEET	REV	NUMBER
-------	-----	--------



INSERT ARRANGEMENT	TOTAL CONTACTS	Size 20	Size 16	Size 12	8	4
8-98	3	3				
8-03	3	3				
10-05	5	5				
10-06	6	6				
10-20	2		2			
12-03	3		3			
12-04		4				
12-12	12	12				
14-04	4			4		
14-07	7		7			
14-12	12	9	3			
14-15	15	15				
16-10	10		10			
16-24	24	24				
18-08	8			8		
18-14	14		14			
18-32	32	32				
20-25	25	19		6		
20-39	39	37	2			
20-41	41	41				
22-12	12			12		
22-19	19		19			
22-55	55	55				
24-19	29		29			
24-43	43	23	20			
24-61	61	61				



## MATING GUIDE

Connector	Finish and or Material	Intended Mating Connector	Upgraded Mating Connector	Downgraded Mating Connector	Downgraded Mating Connector
M83723/74A	Aluminum, Black Anodized Non Conductive	M83723/75A *Black Anodized Aluminum, Non Conductive	M83723/75K/S/N/G * Stainless Steel	M83723/75R *Aluminum, Electroless Nickel	M83723/75W *Aluminum, Olive Drab Cadmium
M83723/74R	Aluminum, Electroless Nickel	M83723/75R *Aluminum, Electroless Nickel	M83723/75K/S/N/G * Stainless Steel	M83723/75A *Black Anodized Aluminum, Non Conductive	M83723/75W *Aluminum, Olive Drab Cadmium
M83723/74W	Aluminum, Olive Drab Cadmium	M83723/75W *Aluminum, Olive Drab Cadmium	M83723/75K/S/N/G * Stainless Steel	M83723/75A *Black Anodized Aluminum, Non Conductive	M83723/75R *Aluminum, Electroless Nickel

MIL-DTL-83723 CONTACTS, TOOLS AND SEALING PLUGS					
	Application	Pin Contacts	Socket Contacts	Sealing Plugs	Insertion Removal Tools
Contact					
Size	Type	Mil Spec Part #	Mil Spec Part #	Mil Spec Part #	Mil Spec Part #
20	Power/Signal	M39029/4-110	M39029/5-115	MS27488-20-1	M81969-14-11
16	Power/Signal	M39029/4-111	M39029/5-116	MS27488-16-1	M81969-14-03
12	Power/Signal	M39029/4-113	M39029/5-118	MS27488-12-1	M81969-14-04
MIL-DTL-83723 CRIMP TOOLS AND METAL INSERTION/EXTRACTION TOOLS					
	Crimp Tool	Positioner	Postioner	Insertion Tool	Extraction Tool
Contact		Pin Contacts	Socket Contacts	Metal	Metal
Size	Type	Mil Spec Part #	Mil Spec Part #	Mil Spec Part #	Mil Spec Part #
20	M22520/1-01	M22520/1-02	M22520/1-02	M81969/8-205	M81969/8-205
20	M22520/2-01	M22520/2-02	M22520/2-02	M81969/8-205	M81969/8-205
16	M22520/1-01	M22520/1-02	M22520/1-02	M81969/8-207	M81969/8-208
12	M22520/1-01	M22520/1-02	M22520/1-02	M81969/8-209	M81969/8-210



## M83723 Series III Cable Clamps

**M85049/51 S 10 W**

Basic Part No. \_\_\_\_\_

S = Self-Locking  
-1- = Non-Self-Locking

Dash No. \_\_\_\_\_

Material and Finish Designator

A = Aluminum, Black Anodize

N = Aluminum, Electroless Nickel

W = Aluminum, 1,000 Hour Cadmium  
Olive Drab Over Electroless  
Nickel



**M85049/51**

*Right Angle Cable Clamp*

**M85049/52 S 10 W**

Basic Part No. \_\_\_\_\_

S = Self-Locking  
-1- = Non-Self-Locking

Dash No. \_\_\_\_\_

Material and Finish Designator

A = Aluminum, Black Anodize

N = Aluminum, Electroless Nickel

W = Aluminum, 1,000 Hour Cadmium  
Olive Drab Over Electroless  
Nickel



**M85049/52**

*Straight Cable Clamp*



**Quick Links: Click on link below to search:**

**Part Number Search: [Click Here](#)**

**Tech Support: [Click Here](#)**

**Request a Quote: [Click Here](#)**