



INTRO CORPORATION

Integrity, Value and Quality since 1976

M83723/75 ORDERING GUIDE



M83723/75

*Connector, Electrical, Straight Plug,
Bayonet Coupling, Socket Contacts*

TABLE OF CONTENTS

Page 1: Title Page

Page 2: Part Number Coding

Page 3: Drawing with Connector Dimensions

Page 4: Available Insert Arrangements

*Page 5: Mating Guide, Contacts, Sealing Plugs and
Tools*

Page 6: Cable Clamps

Page 7: Quick Links

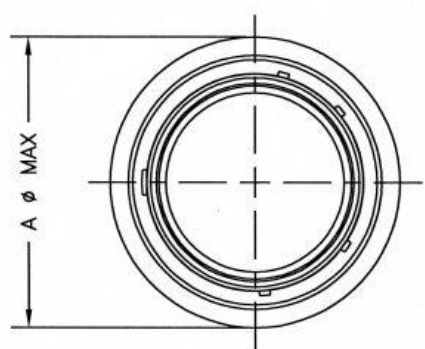
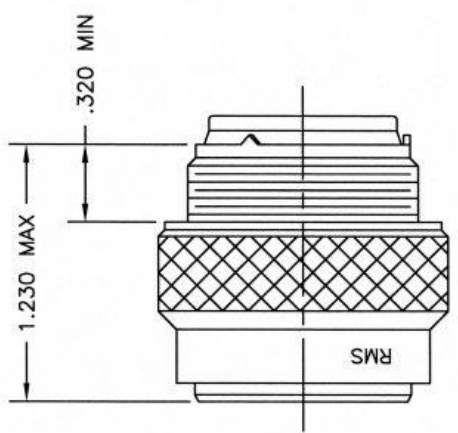


M83723/75

CONNECTOR, ELECTRICAL, STRIGHT PLUG, BAYONET COUPLING, SOCKET CONTACTS

M83723 PART NUMBER CODING


	M83723	71	R	16	24	6
Shell Type	_____					
71= BAYONET COUPLING, SQUARE FLANGE RECEPTACLE, SOCKET CONTACTS						
72= BAYONET COUPLING, SQUARE FLANGE RECEPTACLE, PIN CONTACTS						
73= BAYONET COUPLING, JAM NUT Receptacle, SOCKET CONTACTS						
74= BAYONET COUPLING, JAM NUT RECEPTACLE, PIN CONTACTS						
75= BAYONET COUPLING, STRAIGHT PLUG, SOCKET CONTACTS						
76= BAYONET COUPLING, STRAIGHT PLUG, PIN CONTACTS						
77= BAYONET COUPLING, STRAIGHT PLUG, RFI SPRING, SOCKET CONTACTS						
78= BAYONET COUPLING, STRAIGHT PLUG, RFI SPRING, PIN CONTACTS						
82= THREADED COUPLING, SQUARE FLANGE RECEPTACLE, SOCKET CONTACTS						
83= THREADED COUPLING, SQUARE FLANGE RECEPTACLE, PIN CONTACTS						
97= THREADED COUPLING, STRAIGHT PLUG, SELF LOCKING, SOCKET CONTACTS						
98= THREADED COUPLING, STRAIGHT PLUG, SELF LOCKING, SOCKET CONTACTS						
Class and Materials	_____					
A= Aluminum shell, anodize, nonconductive finish						
G= Stainless steel shell, passivated						
K= Stainless steel shell, passivated, firewall						
N= Plugs, electrodeposited nickel finish, RFI grounding, firewall, self locking						
Receptacles, electrodeposited nickel finish, hermetic, solder cup contacts						
R= Aluminum shell, electroless nickel, conductive finish						
W= Aluminum shell, cadmium, conductive finish						
S= Stainless steel shell, passivated, firewall, RFI grounding, self locking (plug)						
Shell Size	_____					
08, 10, 12, 14, 16, 18, 20, 22, 24						
Insert Arrangements	_____					
See Next Page						
Alternate Keying	_____					
N= Normal (Included in part number)						
6						
7						
8						
9						
10						



SIZE	"A" ø MAX
08	.776
10	.906
12	1.078
14	1.141
16	1.266
18	1.375
20	1.510
22	1.625
24	1.760

NOTES, UNLESS OTHERWISE SPECIFIED:
 1. DIMENSIONS ARE IN INCHES.
 2. TOLERANCE IS $\pm .005$.

FIGURE 5
 R0734 CONFIGURATION
 M83723/75
 PLUG, BAYONET, SOCKET

TITLE	 RMS – Electrical Connector Division	
	SHEET	NUMBER



INSERT ARRANGEMENT	TOTAL CONTACTS	Size 20	Size 16	Size 12	8	4
8-98	3	3				
8-03	3	3				
10-05	5	5				
10-06	6	6				
10-20	2		2			
12-03	3		3			
12-04		4				
12-12	12	12				
14-04	4			4		
14-07	7		7			
14-12	12	9	3			
14-15	15	15				
16-10	10		10			
16-24	24	24				
18-08	8			8		
18-14	14		14			
18-32	32	32				
20-25	25	19		6		
20-39	39	37	2			
20-41	41	41				
22-12	12			12		
22-19	19		19			
22-55	55	55				
24-19	29		29			
24-43	43	23	20			
24-61	61	61				



MATING GUIDE

Connector	Finish and or Material	Intended Mating Connector	Upgraded Mating Connector	Downgraded Mating Connector	Downgraded Mating Connector
M83723/75A	Aluminum, Black Anodized Non Conductive	M83723/72A *Black Anodized Aluminum, Non Conductive	M83723/72K/S/N/G * Stainless Steel	M83723/72R *Aluminum, Electroless Nickel	M83723/72W *Aluminum, Olive Drab Cadmium
M83723/75R	Aluminum, Electroless Nickel	M83723/72R *Aluminum, Electroless Nickel	M83723/72K/S/N/G * Stainless Steel	M83723/72A *Black Anodized Aluminum, Non Conductive	M83723/72W *Aluminum, Olive Drab Cadmium
M83723/75W	Aluminum, Olive Drab Cadmium	M83723/72W *Aluminum, Olive Drab Cadmium	M83723/72K/S/N/G * Stainless Steel	M83723/72A *Black Anodized Aluminum, Non Conductive	M83723/72R *Aluminum, Electroless Nickel

MIL-DTL-83723 CONTACTS, TOOLS AND SEALING PLUGS					
	Application	Pin Contacts	Socket Contacts	Sealing Plugs	Insertion Removal Tools
Contact					
Size	Type	Mil Spec Part #	Mil Spec Part #	Mil Spec Part #	Mil Spec Part #
20	Power/Signal	M39029/4-110	M39029/5-115	MS27488-20-1	M81969-14-11
16	Power/Signal	M39029/4-111	M39029/5-116	MS27488-16-1	M81969-14-03
12	Power/Signal	M39029/4-113	M39029/5-118	MS27488-12-1	M81969-14-04
MIL-DTL-83723 CRIMP TOOLS AND METAL INSERTION/EXTRACTION TOOLS					
	Crimp Tool	Positioner	Postioner	Insertion Tool	Extraction Tool
Contact		Pin Contacts	Socket Contacts	Metal	Metal
Size	Type	Mil Spec Part #	Mil Spec Part #	Mil Spec Part #	Mil Spec Part #
20	M22520/1-01	M22520/1-02	M22520/1-02	M81969/8-205	M81969/8-205
20	M22520/2-01	M22520/2-02	M22520/2-02	M81969/8-205	M81969/8-205
16	M22520/1-01	M22520/1-02	M22520/1-02	M81969/8-207	M81969/8-208
12	M22520/1-01	M22520/1-02	M22520/1-02	M81969/8-209	M81969/8-210



M83723 Series III Cable Clamps

M85049/51 S 10 W

Basic Part No. _____

S = Self-Locking
-1- = Non-Self-Locking

Dash No. _____

Material and Finish Designator

A = Aluminum, Black Anodize

N = Aluminum, Electroless Nickel

W = Aluminum, 1,000 Hour Cadmium
Olive Drab Over Electroless
Nickel



M85049/51

Right Angle Cable Clamp

M85049/52 S 10 W

Basic Part No. _____

S = Self-Locking
-1- = Non-Self-Locking

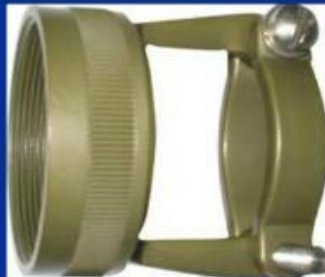
Dash No. _____

Material and Finish Designator

A = Aluminum, Black Anodize

N = Aluminum, Electroless Nickel

W = Aluminum, 1,000 Hour Cadmium
Olive Drab Over Electroless
Nickel



M85049/52

Straight Cable Clamp



Quick Links: Click on link below to search:

Part Number Search: [Click Here](#)

Tech Support: [Click Here](#)

Request a Quote: [Click Here](#)