



# INTRO CORPORATION

Integrity, Value and Quality since 1976

## M83723/77 ORDERING GUIDE



### TABLE OF CONTENTS

*Page 1: Title Page*

*Page 2: Part Number Coding*

*Page 3: Drawing with Connector Dimensions*

*Page 4: Available Insert Arrangements*

*Page 5: Mating Guide, Contacts, Sealing Plugs and Tools*

*Page 6: Cable Clamps*

*Page 7: Quick Links*

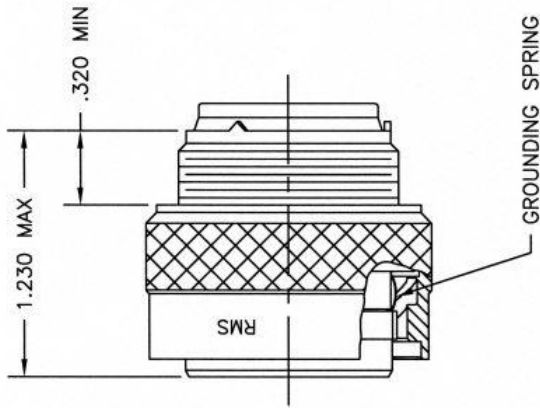


## M83723/77

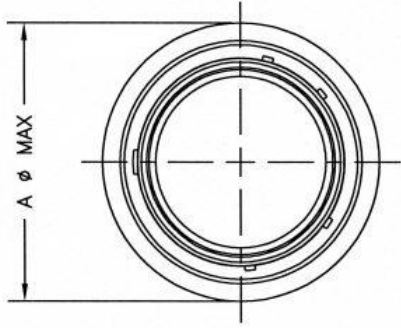
CONNECTOR, ELECTRICAL, STRIGHT PLUG, BAYONET COUPLING, SOCKET CONTACTS, RFI SPRING

### M83723 PART NUMBER CODING

	M83723	71	R	16	24	6
<b>Shell Type</b>	<ul style="list-style-type: none"> <li>71= BAYONET COUPLING, SQUARE FLANGE RECEPTACLE, SOCKET CONTACTS</li> <li>72= BAYONET COUPLING, SQUARE FLANGE RECEPTACLE, PIN CONTACTS</li> <li>73= BAYONET COUPLING, JAM NUT Receptacle, SOCKET CONTACTS</li> <li>74= BAYONET COUPLING, JAM NUT RECEPTACLE, PIN CONTACTS</li> <li>75= BAYONET COUPLING, STRAIGHT PLUG, SOCKET CONTACTS</li> <li>76= BAYONET COUPLING, STRAIGHT PLUG, PIN CONTACTS</li> <li>77= BAYONET COUPLING, STRAIGHT PLUG, RFI SPRING, SOCKET CONTACTS</li> <li>78= BAYONET COUPLING, STRAIGHT PLUG, RFI SPRING, PIN CONTACTS</li> <li>82= THREADED COUPLING, SQUARE FLANGE RECEPTACLE, SOCKET CONTACTS</li> <li>83= THREADED COUPLING, SQUARE FLANGE RECEPTACLE, PIN CONTACTS</li> <li>97= THREADED COUPLING, STRAIGHT PLUG, SELF LOCKING, SOCKET CONTACTS</li> <li>98= THREADED COUPLING, STRAIGHT PLUG, SELF LOCKING, SOCKET CONTACTS</li> </ul>					
<b>Class and Materials</b>	<ul style="list-style-type: none"> <li>A= Aluminum shell, anodize, nonconductive finish</li> <li>G= Stainless steel shell, passivated</li> <li>K= Stainless steel shell, passivated, firewall</li> <li>N= Plugs, electrodeposited nickel finish, RFI grounding, firewall, self locking Receptacles, electrodeposited nickel finish, hermetic, solder cup contacts</li> <li>R= Aluminum shell, electroless nickel, conductive finish</li> <li>W= Aluminum shell, cadmium, conductive finish</li> <li>S= Stainless steel shell, passivated, firewall, RFI grounding, self locking (plug)</li> </ul>					
<b>Shell Size</b>	08, 10, 12, 14, 16, 18, 20, 22, 24					
<b>Insert Arrangements</b>	See Next Page					
<b>Alternate Keying</b>	<ul style="list-style-type: none"> <li>N= Normal (Included in part number)</li> <li>6</li> <li>7</li> <li>8</li> <li>9</li> <li>10</li> </ul>					




SIZE	"A" $\phi$ MAX
08	.776
10	.906
12	1.078
14	1.141
16	1.266
18	1.375
20	1.510
22	1.625
24	1.760



- NOTES, UNLESS OTHERWISE SPECIFIED:
1. DIMENSIONS ARE IN INCHES.
  2. TOLERANCE IS  $\pm .005$ .

FIGURE 7  
 R0734 CONFIGURATION  
 M83723/77  
 PLUG, BAYONET, SOCKET,  
 RFT SPRING

TITLE		 RMS - Electrical Connector Division
SHEET	REV	



INSERT ARRANGEMENT	TOTAL CONTACTS	Size 20	Size 16	Size 12	8	4
8-98	3	3				
8-03	3	3				
10-05	5	5				
10-06	6	6				
10-20	2		2			
12-03	3		3			
12-04		4				
12-12	12	12				
14-04	4			4		
14-07	7		7			
14-12	12	9	3			
14-15	15	15				
16-10	10		10			
16-24	24	24				
18-08	8			8		
18-14	14		14			
18-32	32	32				
20-25	25	19		6		
20-39	39	37	2			
20-41	41	41				
22-12	12			12		
22-19	19		19			
22-55	55	55				
24-19	29		29			
24-43	43	23	20			
24-61	61	61				



## MATING GUIDE

Connector	Finish and or Material	Intended Mating Connector	Upgraded Mating Connector	Downgraded Mating Connector	Downgraded Mating Connector
M83723/77A	Aluminum, Black Anodized Non Conductive	M83723/72A *Black Anodized Aluminum, Non Conductive	M83723/72K/S/N/G *Stainless Steel	M83723/72R *Aluminum, Electroless Nickel	M83723/72W *Aluminum, Olive Drab Cadmium
M83723/77R	Aluminum, Electroless Nickel	M83723/72R *Aluminum, Electroless Nickel	M83723/72K/S/N/G *Stainless Steel	M83723/72A *Black Anodized Aluminum, Non Conductive	M83723/72W *Aluminum, Olive Drab Cadmium
M83723/77W	Aluminum, Olive Drab Cadmium	M83723/72W *Aluminum, Olive Drab Cadmium	M83723/72K/S/N/G *Stainless Steel	M83723/72A *Black Anodized Aluminum, Non Conductive	M83723/72R *Aluminum, Electroless Nickel

MIL-DTL-83723 CONTACTS, TOOLS AND SEALING PLUGS					
	Application	Pin Contacts	Socket Contacts	Sealing Plugs	Insertion Removal Tools
Contact					
Size	Type	Mil Spec Part #	Mil Spec Part #	Mil Spec Part #	Mil Spec Part #
20	Power/Signal	M39029/4-110	M39029/5-115	MS27488-20-1	M81969-14-11
16	Power/Signal	M39029/4-111	M39029/5-116	MS27488-16-1	M81969-14-03
12	Power/Signal	M39029/4-113	M39029/5-118	MS27488-12-1	M81969-14-04
MIL-DTL-83723 CRIMP TOOLS AND METAL INSERTION/EXTRACTION TOOLS					
	Crimp Tool	Positioner	Postioner	Insertion Tool	Extraction Tool
Contact		Pin Contacts	Socket Contacts	Metal	Metal
Size	Type	Mil Spec Part #	Mil Spec Part #	Mil Spec Part #	Mil Spec Part #
20	M22520/1-01	M22520/1-02	M22520/1-02	M81969/8-205	M81969/8-205
20	M22520/2-01	M22520/2-02	M22520/2-02	M81969/8-205	M81969/8-205
16	M22520/1-01	M22520/1-02	M22520/1-02	M81969/8-207	M81969/8-208
12	M22520/1-01	M22520/1-02	M22520/1-02	M81969/8-209	M81969/8-210



## M83723 Series III Cable Clamps

**M85049/51 S 10 W**

Basic Part No. \_\_\_\_\_

S = Self-Locking  
-1- = Non-Self-Locking

Dash No. \_\_\_\_\_

Material and Finish Designator

A = Aluminum, Black Anodize

N = Aluminum, Electroless Nickel

W = Aluminum, 1,000 Hour Cadmium  
Olive Drab Over Electroless  
Nickel



**M85049/51**

*Right Angle Cable Clamp*

**M85049/52 S 10 W**

Basic Part No. \_\_\_\_\_

S = Self-Locking  
-1- = Non-Self-Locking

Dash No. \_\_\_\_\_

Material and Finish Designator

A = Aluminum, Black Anodize

N = Aluminum, Electroless Nickel

W = Aluminum, 1,000 Hour Cadmium  
Olive Drab Over Electroless  
Nickel



**M85049/52**

*Straight Cable Clamp*



**Quick Links: Click on link below to search:**

**Part Number Search: [Click Here](#)**

**Tech Support: [Click Here](#)**

**Request a Quote: [Click Here](#)**