



INTRO CORPORATION

Integrity, Value and Quality since 1976

M83723/98 ORDERING GUIDE



M83723/98

*Connector, Electrical, Straight Plug,
Threaded Coupling, Self Locking,
Pin Contacts*

TABLE OF CONTENTS

Page 1: Title Page

Page 2: Part Number Coding

Page 3: Drawing with Connector Dimensions

Page 4: Available Insert Arrangements

*Page 5: Mating Guide, Contacts, Sealing Plugs and
Tools*

Page 6: Cable Clamps

Page 7: Quick Links

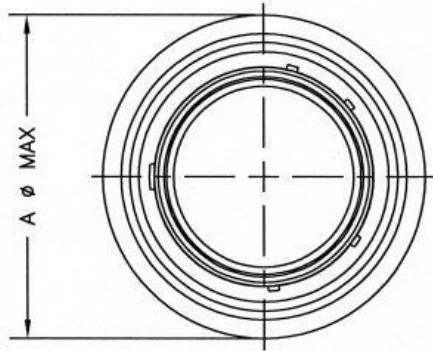
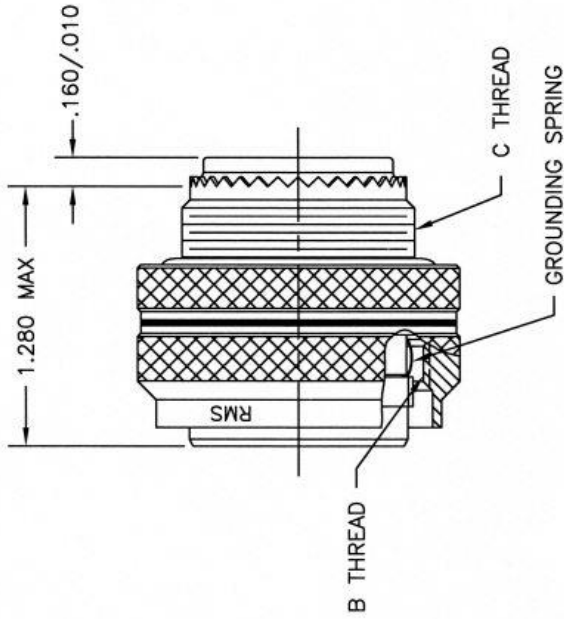


M83723/98

CONNECTOR, ELECTRICAL, STRAIGHT PLUG, THREADED COUPLING, PIN CONTACTS, SELF LOCKING

M83723 PART NUMBER CODING

	M83723	71	R	16	24	6
Shell Type	<ul style="list-style-type: none"> 71= BAYONET COUPLING, SQUARE FLANGE RECEPTACLE, SOCKET CONTACTS 72= BAYONET COUPLING, SQUARE FLANGE RECEPTACLE, PIN CONTACTS 73= BAYONET COUPLING, JAM NUT Receptacle, SOCKET CONTACTS 74= BAYONET COUPLING, JAM NUT RECEPTACLE, PIN CONTACTS 75= BAYONET COUPLING, STRAIGHT PLUG, SOCKET CONTACTS 76= BAYONET COUPLING, STRAIGHT PLUG, PIN CONTACTS 77= BAYONET COUPLING, STRAIGHT PLUG, RFI SPRING, SOCKET CONTACTS 78= BAYONET COUPLING, STRAIGHT PLUG, RFI SPRING, PIN CONTACTS 82= THREADED COUPLING, SQUARE FLANGE RECEPTACLE, SOCKET CONTACTS 83= THREADED COUPLING, SQUARE FLANGE RECEPTACLE, PIN CONTACTS 97= THREADED COUPLING, STRAIGHT PLUG, SELF LOCKING, SOCKET CONTACTS 98= THREADED COUPLING, STRAIGHT PLUG, SELF LOCKING, SOCKET CONTACTS 					
Class and Materials	<ul style="list-style-type: none"> A= Aluminum shell, anodize, nonconductive finish G= Stainless steel shell, passivated K= Stainless steel shell, passivated, firewall N= Plugs, electrodeposited nickel finish, RFI grounding, firewall, self locking Receptacles, electrodeposited nickel finish, hermetic, solder cup contacts R= Aluminum shell, electroless nickel, conductive finish W= Aluminum shell, cadmium, conductive finish S= Stainless steel shell, passivated, firewall, RFI grounding, self locking (plug) 					
Shell Size	08, 10, 12, 14, 16, 18, 20, 22, 24					
Insert Arrangements	See Next Page					
Alternate Keying	<ul style="list-style-type: none"> N= Normal (Included in part number) 6 7 8 9 10 					



SIZE	"A" Ø MAX	"B" THREAD CLASS 2B	"C" THREAD CLASS 2A
08	.967	.5625-24UNEF	.5000-20UNF
10	1.093	.6875-24UNEF	.6250-24UNEF
12	1.170	.8750-20UNEF	.7500-20UNEF
14	1.310	.9375-20UNEF	.8750-20UNEF
16	1.500	1.0625-18UNEF	1.0000-20UNEF
18	1.562	1.1875-18UNEF	1.0625-18UNEF
20	1.710	1.3125-18UNEF	1.1875-18UNEF
22	1.812	1.4375-18UNEF	1.3125-18UNEF
24	1.948	1.5625-18UNEF	1.4375-18UNEF
28	2.175	1.8125-16UN	1.7500-18UNS

- NOTES, UNLESS OTHERWISE SPECIFIED:
1. DIMENSIONS ARE IN INCHES.
 2. TOLERANCE IS $\pm .005$.

FIGURE 27
R0736 CONFIGURATION
M83723/98
PLUG, CIRCULAR, PIN,
THREADED COUPLING, SELF LOCKING

TITLE



RMS - Electrical Connector Division

SHEET

REV

NUMBER



INSERT ARRANGEMENT AND CONTACT USAGE

INSERT ARRANGEMENT	TOTAL CONTACTS	Size 20	Size 16	Size 12	8	4
8-98	3	3				
8-03	3	3				
10-05	5	5				
10-06	6	6				
10-20	2		2			
12-03	3		3			
12-04		4				
12-12	12	12				
14-04	4			4		
14-07	7		7			
14-12	12	9	3			
14-15	15	15				
16-10	10		10			
16-24	24	24				
18-08	8			8		
18-14	14		14			
18-32	32	32				
20-25	25	19		6		
20-39	39	37	2			
20-41	41	41				
22-12	12			12		
22-19	19		19			
22-55	55	55				
24-19	29		29			
24-43	43	23	20			
24-61	61	61				



MATING GUIDE

Connector	Finish and or Material	Intended Mating Connector	Downgraded Mating Connector
M83723/98N	Nickel Plated Stainless Steel	M83723/82N * Nickel Plated Stainless Steel	M83723/82S * Stainless Steel
M83723/98S	Stainless Steel	M83723/82S * Stainless Steel	M83723/82N * Nickel Plated Stainless Steel

MIL-DTL-83723 CONTACTS, TOOLS AND SEALING PLUGS					
	Application	Pin Contacts	Socket Contacts	Sealing Plugs	Insertion Removal Tools
Contact Size	Type	Mil Spec Part #	Mil Spec Part #	Mil Spec Part #	Mil Spec Part #
20	Power/Signal	M39029/4-110	M39029/5-115	MS27488-20-1	M81969-14-11
16	Power/Signal	M39029/4-111	M39029/5-116	MS27488-16-1	M81969-14-03
12	Power/Signal	M39029/4-113	M39029/5-118	MS27488-12-1	M81969-14-04
MIL-DTL-83723 CRIMP TOOLS AND METAL INSERTION/EXTRACTION TOOLS					
	Crimp Tool	Positioner	Positioner	Insertion Tool	Extraction Tool
Contact Size	Type	Mil Spec Part #	Mil Spec Part #	Mil Spec Part #	Mil Spec Part #
20	M22520/1-01	M22520/1-02	M22520/1-02	M81969/8-205	M81969/8-205
20	M22520/2-01	M22520/2-02	M22520/2-02	M81969/8-205	M81969/8-205
16	M22520/1-01	M22520/1-02	M22520/1-02	M81969/8-207	M81969/8-208
12	M22520/1-01	M22520/1-02	M22520/1-02	M81969/8-209	M81969/8-210



M83723 Series III Cable Clamps

M85049/51 S 10 W

Basic Part No. _____

S = Self-Locking _____
 -1- = Non-Self-Locking _____

Dash No. _____

Material and Finish Designator
 A = Aluminum, Black Anodize
 N = Aluminum, Electroless Nickel
 W = Aluminum, 1,000 Hour Cadmium
 Olive Drab Over Electroless
 Nickel



M85049/51
Right Angle Cable Clamp

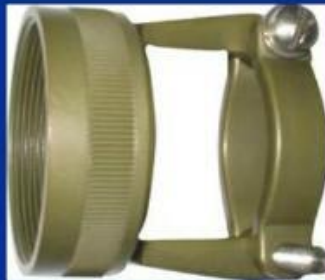
M85049/52 S 10 W

Basic Part No. _____

S = Self-Locking _____
 -1- = Non-Self-Locking _____

Dash No. _____

Material and Finish Designator
 A = Aluminum, Black Anodize
 N = Aluminum, Electroless Nickel
 W = Aluminum, 1,000 Hour Cadmium
 Olive Drab Over Electroless
 Nickel



M85049/52
Straight Cable Clamp



Quick Links: Click on link below to search:

Part Number Search: [Click Here](#)

Tech Support: [Click Here](#)

Request a Quote: [Click Here](#)