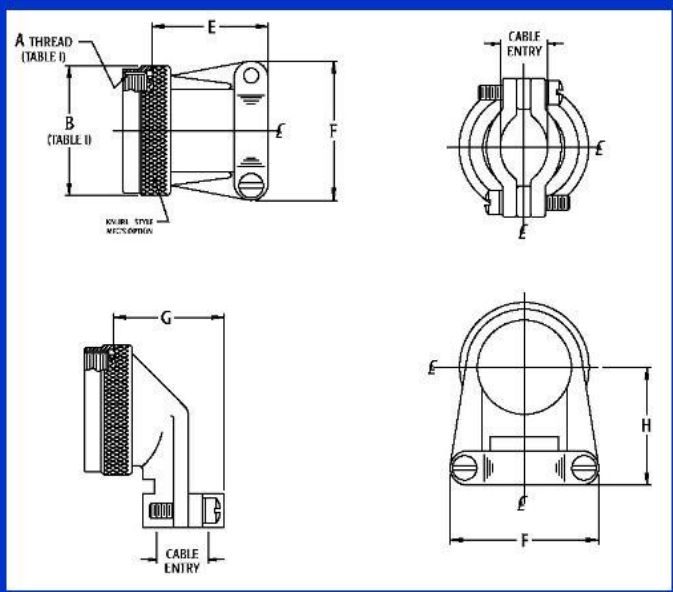
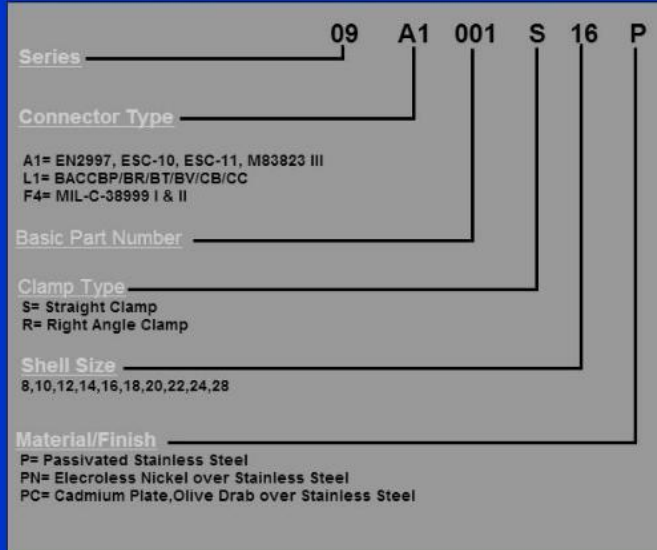




INTRO CORPORATION

Integrity, Value and Quality since 1976

M83723 Firewall Stainless Steel Cable Clamps





M83723 Series III Aluminum Cable Clamps

M85049/51 S 10 W

Basic Part No. _____

S = Self-Locking _____
-1- = Non-Self-Locking

Dash No. _____

Material and Finish Designator

A = Aluminum, Black Anodize

N = Aluminum, Electroless Nickel

W = Aluminum, 1,000 Hour Cadmium
Olive Drab Over Electroless
Nickel



M85049/51

Right Angle Cable Clamp

M85049/52 S 10 W

Basic Part No. _____

S = Self-Locking _____
-1- = Non-Self-Locking

Dash No. _____

Material and Finish Designator

A = Aluminum, Black Anodize

N = Aluminum, Electroless Nickel

W = Aluminum, 1,000 Hour Cadmium
Olive Drab Over Electroless
Nickel



M85049/52

Straight Cable Clamp



Quick Links: Click on link below to search:

Part Number Search: [Click Here](#)

Tech Support: [Click Here](#)

Request a Quote: [Click Here](#)