



INTRO CORPORATION

Integrity, Value and Quality since 1976

RMS R0713 SERIES ORDERING GUIDE



R0713

*Connector, Electrical, Bayonet Coupling,
Square Flange Receptacle, Non-removable
Contacts, Aluminum Shell*

TABLE OF CONTENTS

Page 1: Title Page

Page 2: Part Number Coding

Page 3: Connector Dimensions

Page 4: Available Insert Arrangements

Page 5: Quick Links



R0713

CONNECTOR, ELECTRICAL, RECEPTACLE, FLANGE MOUNT, BAYONET COUPLING, NON-REMOVABLE CONTACTS, ALUMINUM SHELL, THREADED FASTENERS PRESSED IN PLACE

R0713 PART NUMBER CODING

	R	0	7	1	3	1	4	A	0	7	S	N	A	7	1
Series Designation _____															
Connector, Bayonet Coupling, Non Removable Contacts															
Shell Size _____															
08, 10, 12, 14, 16, 18, 20, 22, 24															
Finish and Materials _____															
A= Hard Anodized Aluminum Shell F= Cadmium over Nickel Plated Aluminum Shell with Clear Chromate Conversion with Resilient Contact Potting G= Cadmium over Nickel Plated Aluminum Shell with Clear Chromate Conversion H= Cadmium over Nickel Plated Aluminum Shell with Olive Drab Chromate Conversion with Resilient Contact Potting N= Cadmium over Nickel Plated Aluminum Shell with Olive Drab Chromate Conversion W= Cadmium over Nickel Plated Aluminum Shell with Olive Drab Chromate Conversion															
Insert Arrangements _____															
See Next Page															
Contact Style _____															
P= Pin Contact S= Socket Contact															
Shell Polarity _____															
N,6,7,8,9,10															
Contact Type _____															
A&D= Solder Pin for use with Printed Circuit Boards or Flex Circuitry K= Solder Pin for use with Printed Circuit Boards or Flex Circuitry with Solder Coat															
Mounting Flange Version _____															
7= Square Flange Mount, Threaded Fasteners Pressed in Place (4)															
Termination Pin Length _____															
1. .205+/- .020 2. .255+/- .020 3. .575+/- .020 4. .935+/- .020 5. .505+/- .020 6. .390+/- .020 7. .100+/- .010 8. .300+/- .020 9. .735+/- .020															

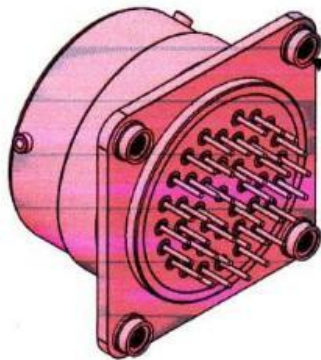


R0713 CONNECTOR DIMENSIONS

R0713 Series

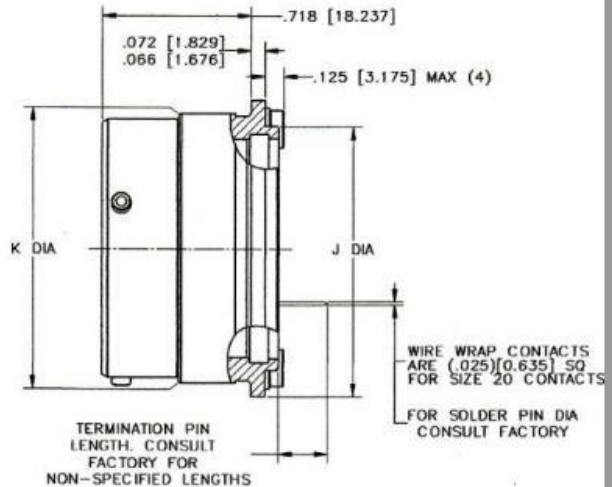
Flange Mount, Threaded Fasteners Pressed in Place

Receptacles

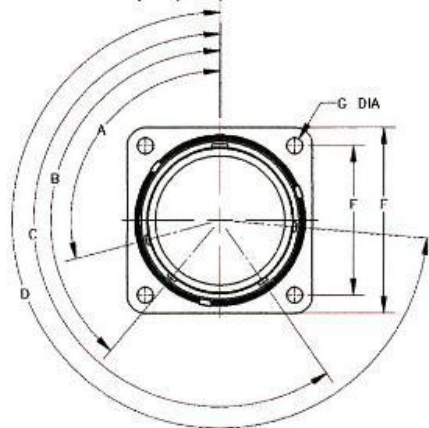


THREADED FASTENER,
.112-40UNJC-3B (4)

Not shown Actual size



Master keyway



Shell Polarity

Polarity	For Connectors Size 8 and 10				For Connectors Size 12, 14, 16, 18, 20, 22 and 24			
	A	B	C	D	A	B	C	D
Normal	105°	140°	215°	265°	105°	140°	215°	265°
6	102°	132°	248°	320°	18°	149°	192°	259°
7	80°	118°	230°	312°	92°	152°	222°	342°
8	35°	140°	205°	275°	84°	152°	204°	334°
9	64°	155°	234°	304°	24°	135°	199°	240°
10*	25°	115°	220°	270°	98°	152°	268°	338°

*Not Available in Size 8 Connector

Shell Size	E		F		G DIA $\frac{J}{K}$		J		K		M		N	
	$\pm .005$	(0.127)	$\pm .005$	(0.127)	$+.000$	(0.000)	Dia.	Max	Dia.	Max	Dia.	Min	Dia.	Min
	In.	MM	In.	MM	In.	MM	In.	MM	In.	MM	In.	MM	In.	MM
8	.812	20.625	.594	15.088	.125	3.175	.500	12.700	.561	14.250	.620	15.748	.510	12.954
10	.937	23.800	.719	18.263	.125	3.175	.620	15.748	.696	17.679	.748	18.999	.635	16.129
12	1.031	26.188	.812	20.625	.125	3.175	.750	19.050	.875	22.225	.913	23.190	.750	19.050
14	1.125	28.575	.906	23.012	.125	3.175	.871	22.123	.935	23.749	.980	24.892	.885	22.479
16	1.250	31.750	.969	24.613	.125	3.175	.996	25.298	1.062	26.975	1.107	28.118	1.010	25.654
18	1.343	34.112	1.062	26.975	.125	3.175	1.062	26.975	1.187	30.150	1.209	30.709	1.072	27.229
20	1.437	36.500	1.156	29.363	.125	3.175	1.184	30.074	1.312	33.325	1.337	33.960	1.192	30.277
22	1.562	39.675	1.250	31.750	.125	3.175	1.312	33.325	1.437	36.500	1.452	36.881	1.322	33.579
24	1.703	43.256	1.375	34.925	.154	3.912	1.432	36.373	1.562	39.675	1.577	40.056	1.442	36.627



INSERT ARRANGEMENT	TOTAL CONTACTS	Size 20	Size 16	Size 12	8	4	2
08-02	2	2					
08-03	3	3					
08-98	3	3					
10-02	2	2					
10-05	5	5					
10-20	2		2				
12-03	3		3				
12-04	4	4					
12-12	12	12					
14-03	3		2				1
14-04	4			4			
14-07	7		7				
14-12	12	9	3				
14-15	15	15					
16-10	10		10				
16-24	24	24					
18-08	8			8			
18-11	11		10				1
18-14	14		14				
18-31	31	31					
20-16	16		16				
20-25	25	19		6			
20-28	28	24	4				
20-39	39	37	2				
20-41	41	41					
22-12	12			12			
22-19	19		19				
22-32	32	26		6			
22-55	55	55					
24-29	29		29				
24-30	30		30				
24-43	43	23	20				
24-61	61	61					
28-42	42		42				



Quick Links: Click on link below to search:

Part Number Search: [Click Here](#)

Tech Support: [Click Here](#)

Request a Quote: [Click Here](#)