



INTRO CORPORATION

Integrity, Value and Quality since 1976

S280W557-2XX SPEC Sheet



S280W557-2XX

*Connector, Electrical,
Rectangular, Plug, Latch
Coupling, Track Mounted*

TABLE OF CONTENTS

Page 1: Title Page

Page 2: Part Number Coding

Pages 3: Drawing

Pages 4-9: Insert Arrangements

Page 11: Contacts/Tools and Mating Guide

Page 12: Quick Links



S280W557-2XX

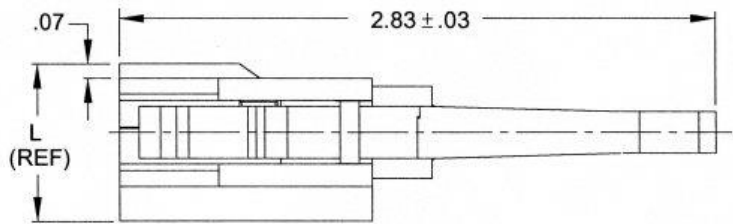
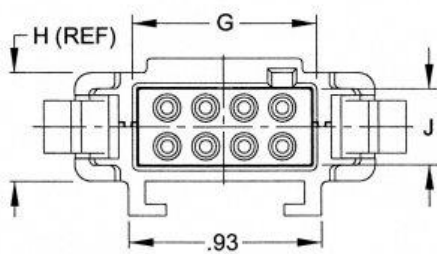
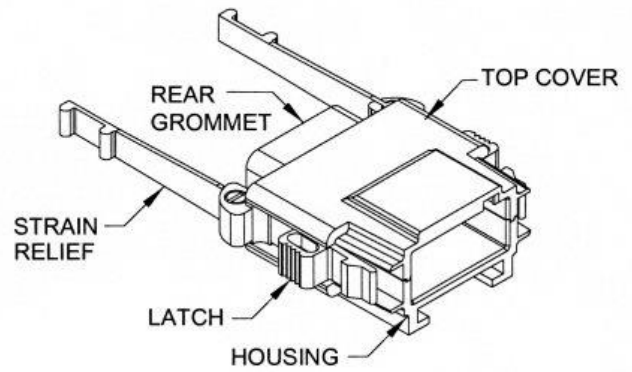
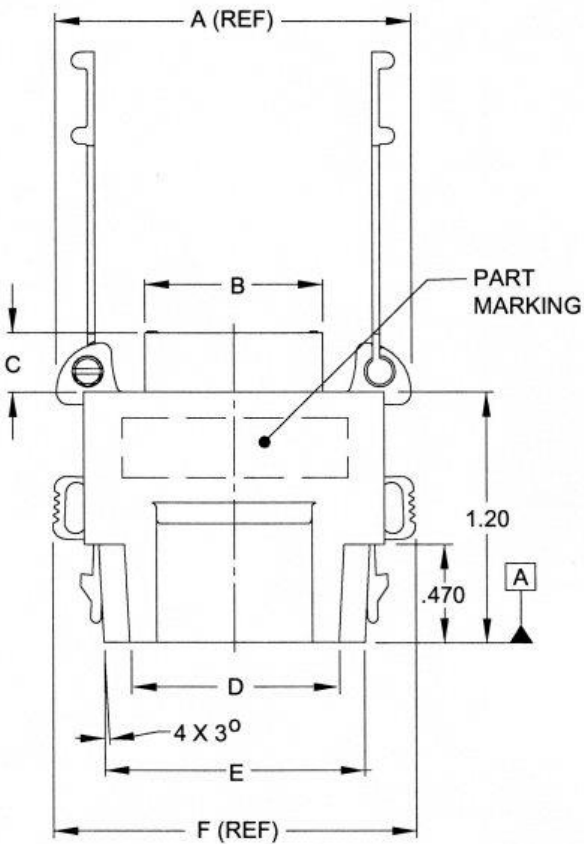
CONNECTOR, ELECTRICAL, RECTANGULAR, PLUG, LATCH COUPLING, TRACK MOUNTED

ORDERING GUIDE



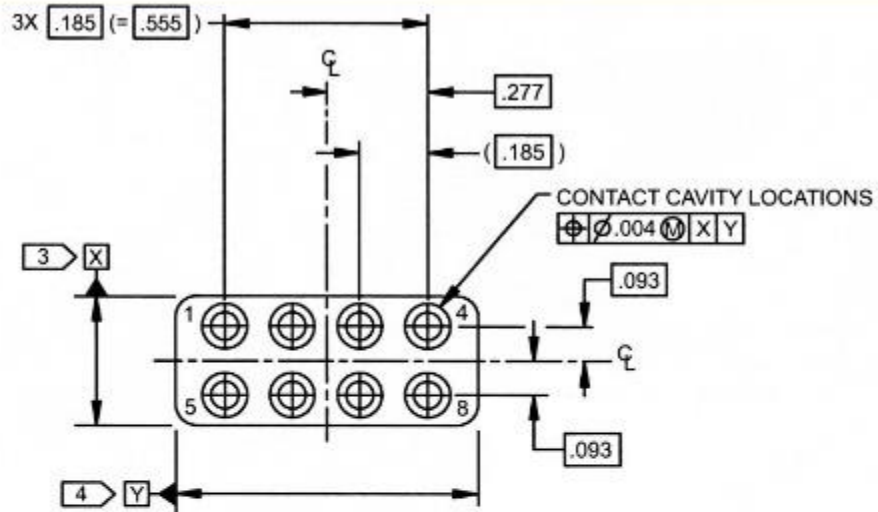


S280W557-2XX DRAWING





INSERT ARRANGEMENT # 1



INSERT ARRANGEMENT 1 1 2

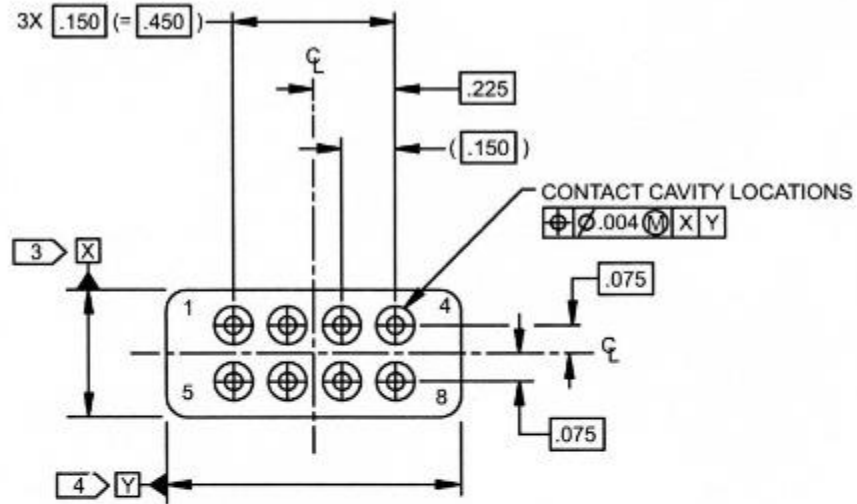
TABLE I

INSERT ARRANGEMENT	NUMBER OF CONTACTS	CONTACT SIZE
1	8	16

**S280W557-2XX
CONTACTS
QTY 8 #16 GAUGE PIN=BACC47EF3**



INSERT ARRANGEMENT # 2



INSERT ARRANGEMENT 2 1 2

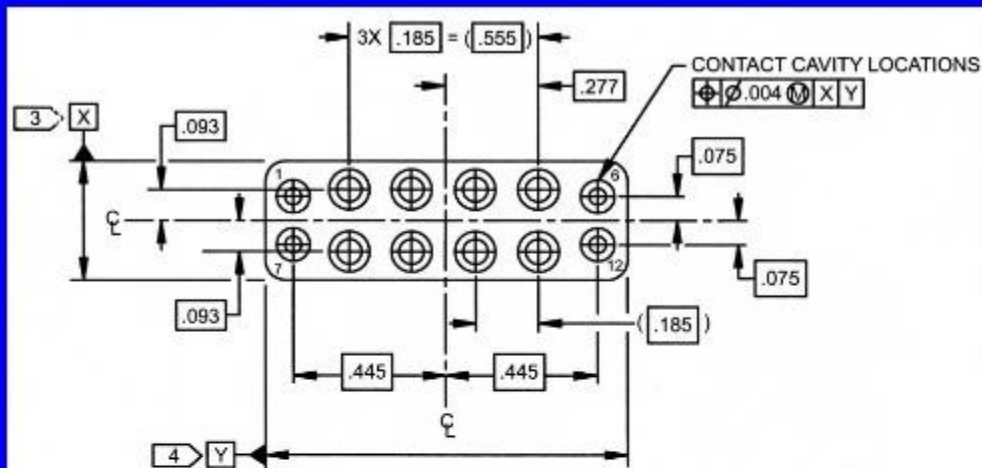
TABLE II

INSERT ARRANGEMENT	NUMBER OF CONTACTS	CONTACT SIZE
2	8	20

S280W557-22X
 INSERT ARRANGEMENT # 2
 CONTACTS
 QTY 8 #20 GAUGE PIN=BACC47EF2



INSERT ARRANGEMENT # 3



INSERT ARRANGEMENT 3 1 2

TABLE III

INSERT ARRANGEMENT	NUMBER OF CONTACTS	CONTACT SIZE	INSERT CAVITY LOCATION
3	4	20	1, 6, 7, 12
	8	16	2 THRU 5 AND 8 THRU 11

S280W557-23X

INSERT ARRANGEMENT # 3

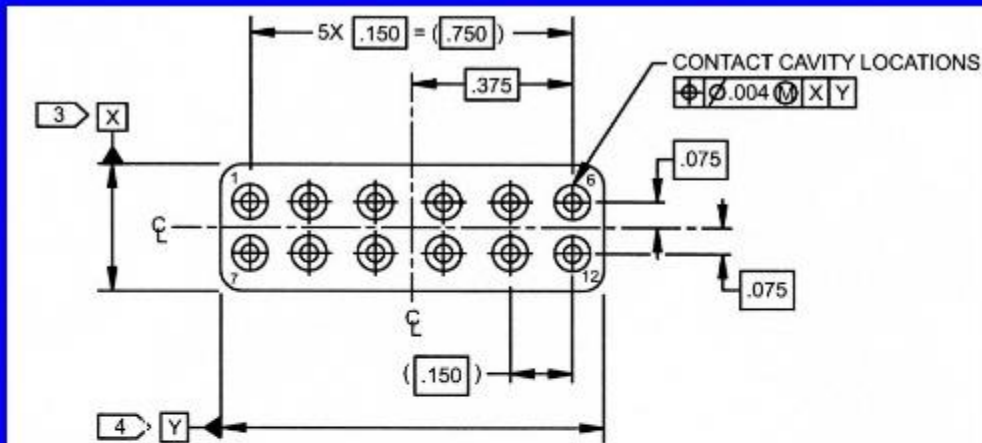
CONTACTS

QTY 4 #20 GAUGE PIN=BACC47EF2

QTY 8 #16 GAUGE PIN=BACC47EF3



INSERT ARRANGEMENT # 4



INSERT ARRANGEMENT 4 1 2

TABLE IV

INSERT ARRANGEMENT	NUMBER OF CONTACTS	CONTACT SIZE
4	12	20

S280W557-24X
 INSERT ARRANGEMENT # 4
 CONTACTS
 QTY 12 #20 GAUGE PIN=BACC47EF2



INSERT ARRANGEMENT # 5

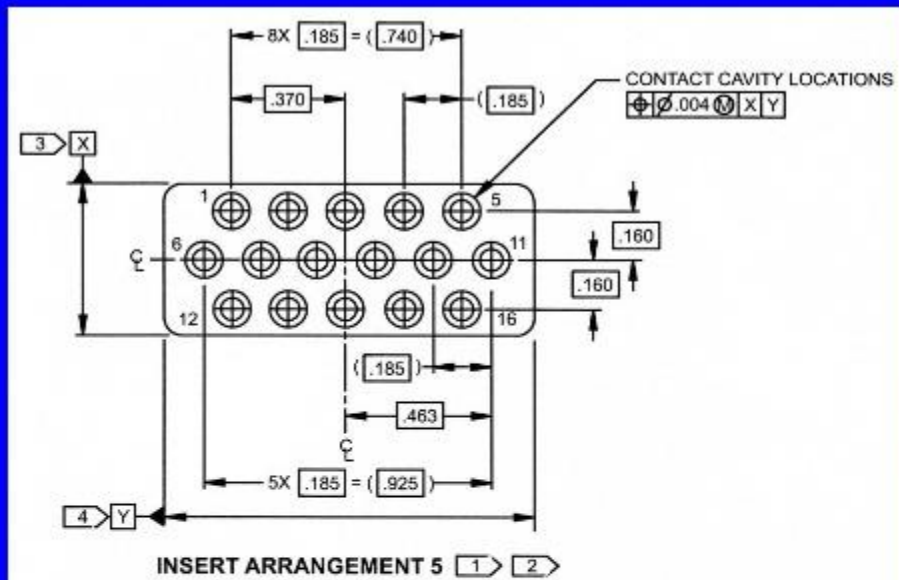


TABLE V

INSERT ARRANGEMENT	NUMBER OF CONTACTS	CONTACT SIZE
5	16	16

280W557-25X
 INSERT ARRANGEMENT # 5
 CONTACTS
 QTY 16 #16 GAUGE PIN=BACC47EF3



INSERT ARRANGEMENT # 6

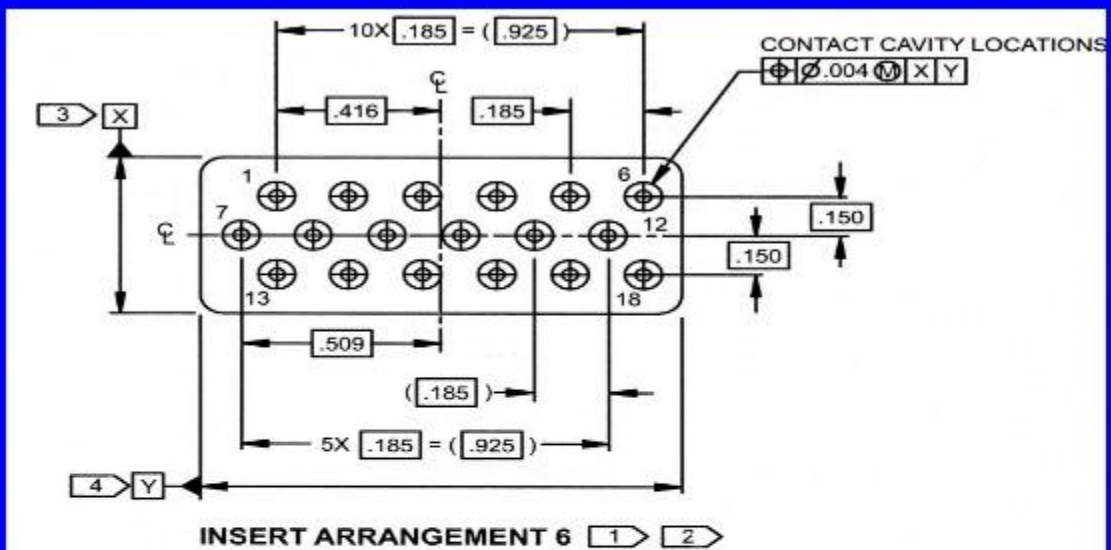


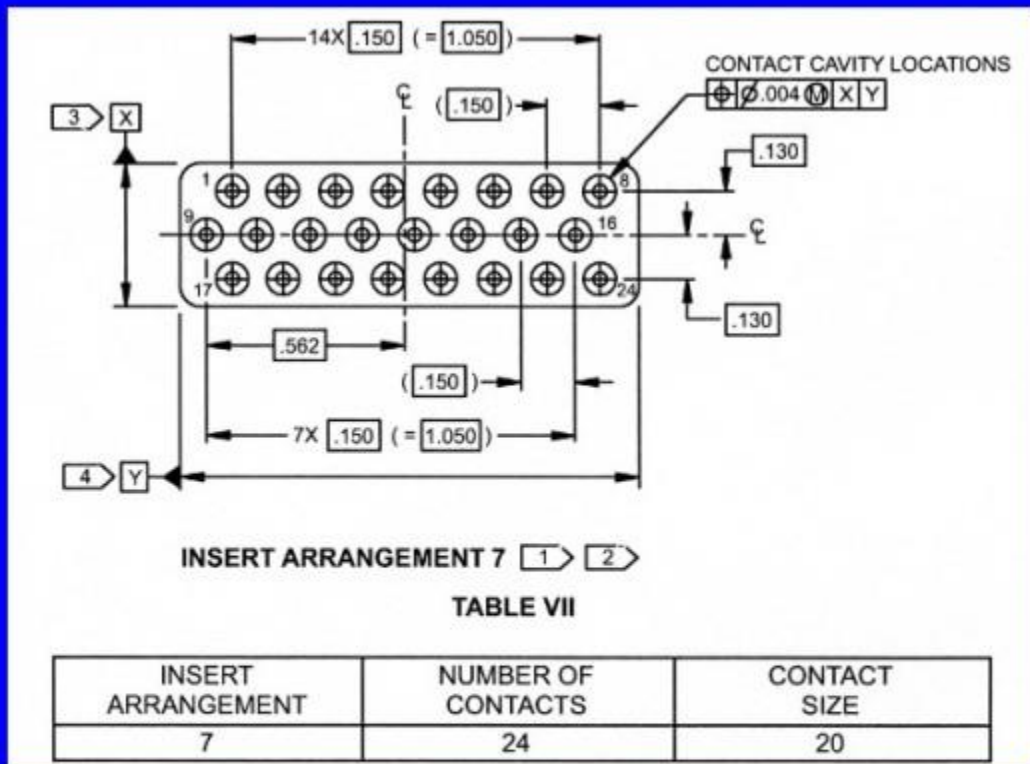
TABLE VI

INSERT ARRANGEMENT	NUMBER OF CONTACTS	CONTACT SIZE
6	18	20

S280W557-26X
 INSERT ARRANGEMENT # 6
 CONTACTS
 QTY 18 #20 GAUGE PIN=BACC47EF2



INSERT ARRANGEMENT # 7



S280W557-17X

**INSERT ARRANGEMENT # 7
CONTACTS
QTY 24 #20 GAUGE SOCKET=BACC47EG2**



S280W557-2XX SERIES CONTACTS and TOOLS					
BOEING CONTACT PART NUMBER	CONTACT SIZE	CONTACT TYPE	INSERTION & REMOVAL TOOL	CRIMP TOOL	POSITIONER
BACC47EF2	20	PIN	M81969/1-02	M22520/2-01	M22520/2-02 M22520/2-08
BACC47EF3	16	PIN	M81969/1-03	M22520/1-01	M22520/1-02

S280W557 MATING GUIDE	
RECEPTACLE	PLUG
S280W557-211	S280W557-111
S280W557-221	S280W557-121
S280W557-231	S280W557-131
S280W557-241	S280W557-141
S280W557-251	S280W557-151
S280W557-261	S280W557-161
S280W557-271	S280W557-171
S280W557-212	S280W557-112
S280W557-222	S280W557-122
S280W557-232	S280W557-132
S280W557-242	S280W557-142
S280W557-252	S280W557-152
S280W557-262	S280W557-162
S280W557-272	S280W557-172



Quick Links: Click on link below to search:

Part Number Search: [Click Here](#)

Tech Support: [Click Here](#)

Request a Quote: [Click Here](#)